

PSI Displays Ltd

www.psidisplays.co.uk

PAV40

4" TFT LCD Monitor



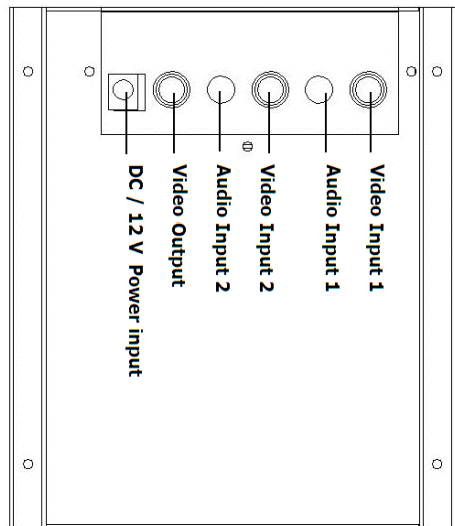
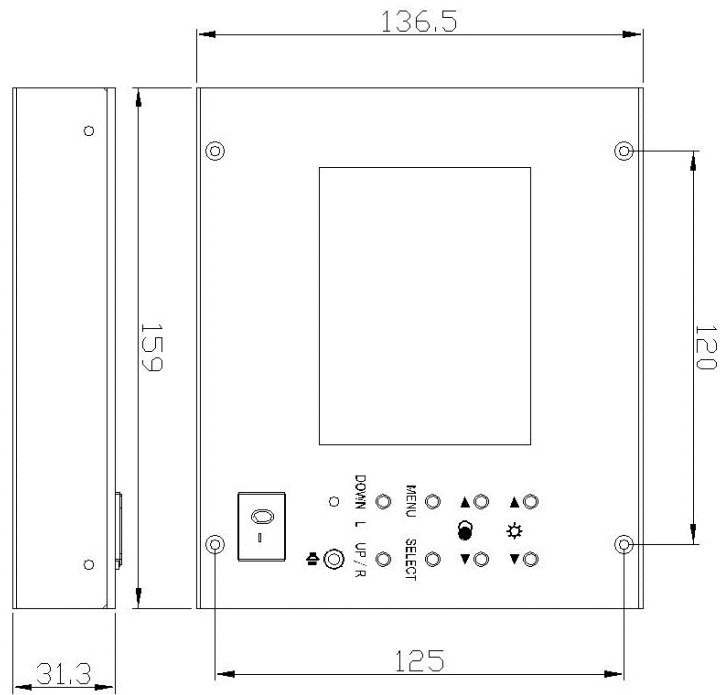
User Manual

V 1.0

PAV40

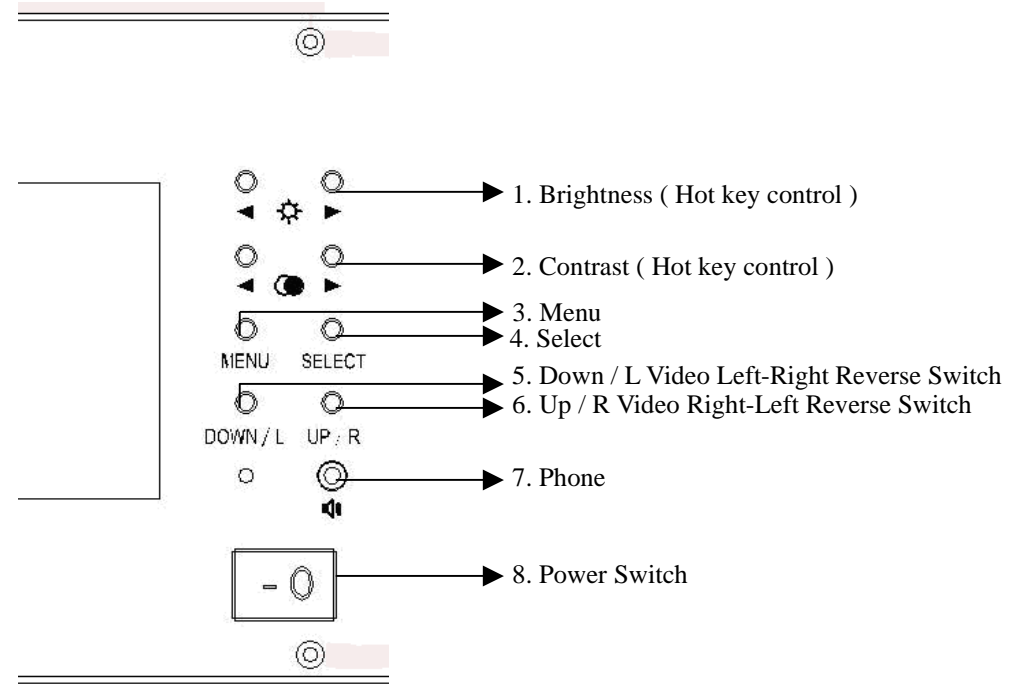
Specification	
Overall Dimension	159 (W) × 136.5 (H) × 31.3 (D) mm
Power Source	AC100~AC230V ; 50Hz~60Hz ; 18W
Size	4 INCH Colour TFT
Resolution	480×234
Pixel Pitch	0.171(W) × 0.264 (H)
Brightness	250 nit
Viewing angle	45/45/30/60 (L/R/T/B)
Operation Temperature	0°C ~60°C
Storage Temperature	0°C ~80°C
Video Input Terminal	BNC×2 (Pattern)
Audio Input Terminal	RCA×2 (Normal)
Video Output Terminal	BNC×1
Audio Output Terminal	Phone Jack ×1
Input Video System	1.0Vp-p@75ohm (Auto Switch) NTSC : fH : 15.75Khz PAL: fH : 15.625Khz fV : 60Hz fV : 50Hz
Output Video System	1.0Vp-p@75ohm
Power Consumption	10W(Max), external power supply
Gross Weight	1 KG ± 10 g
OSD Function	Video Left-Right Reverse Switch Brightness & Contrast Hot Key direct access

2. Dimension:



Unit: mm

3. OSD controls on LCD Monitor:



4. Rear view of connectors:

1. Video input 1
2. Audio input 1
3. Video input 2
4. Audio input 2
5. Video output
6. DC 12V Power input

5. Connections:

1. Select Video source to Video 1 or Video 2 input.
2. Connect Audio source to Audio 1 or Audio 2 input.
3. Connect an external 12V power supply.
4. If request Audio Output, please connect headphones.
5. If request Video Output, please connect Video Output.

6. Safety Notes:

1. Do not apply pressure to the LCD screen.
2. Do not sprinkle any liquid to clean the LCD.

If you need to clean it, please use a LCD cleaning cloth.
3. Please do not use any accessory not provided by the manufacturer.
4. Please do not operate or store in the high temperature.

(Operating 0~60, Storing 0~80)

5. When you connect the power cable, please ensure the Anode

(Positive) and Cathode (Negative) is connected correctly.

If connected incorrectly, it might damage the LCD.

6. Please be caution and handle the system with care during moving.