

PSI Displays Ltd

www.psidisplays.co.uk

Copyright ©2012 by this company. No Part of this publication may be reproduced, transmitted, transcribed, stored in a retrieval system or translated into any language or computer language, in any form or any means, electronic, mechanical, magnetic, optical, chemical, manual or other system, without the prior written permission of this company.

SAFETY INSTRUCTION

1. Never push objects of any kind or spill liquid into this product.
2. Do not attempt to service this product yourself, as opening or removing covers may expose you to dangerous voltage points or other risk. Refer all servicing to qualified service personnel, if any misuse, mentioned above happens or any accident by dropping or miss-operations has occurred the warranty is void.

7. Security notes

The unit is only suitable for indoor use. The heat being generated in the unit has to be removed via air circulation. Therefore, the circulation vents in the housing must not be covered with any objects. Do not insert or drop anything into the air vents! As this could result in a short-circuit. If the unit is used for purposes other than originally intended, if it is connected in the wrong way or not repaired by authorized skilled personnel, there is no liability accepted. To clean, only use a dry, soft cloth do not use chemicals or water. If the unit is to be put out of operation permanently, take it to a local recycling plant for disposal.

8. Technical Data

LCD technology: TFT active matrix. LED Back Light.

Display size: Diagonally measured 4.0" x 4

Colour system: NTSC and PAL – Auto Dual System

Sync: Horizontal: 15625 Hz, Vertical: 50 Hz.

Number of pixels: 960 x 240

Power supply: 12Volts, 3.3Amps. Centre Positive.

Dimensions: LRM-4521 Front panel 82.08 x 61.56 mm x 4 screen

Weight: 5.8 Kgs

5. Operation

- 1) In Switch on the device with the Main power switch (29)
 - 2) Select the right Video input (4) (8) (12) (16)
 - 3) Adjust the Brightness control (2) (6) (10) (14) and Colour control (3) (7) (11) (15)
- in order to obtain an image as clear and sharp as possible.

6. Application range

The LCD colour monitors offer a sharp and high contrast display. They can be universally applied in surveillance systems, reverse monitoring car systems or for multimedia applications. Also an additional Audio input enables sound transmission via headphones.

1. Contents:

- 4.0" x 4 Rack Mount Monitor x 1
- AC Adaptor & Mains lead x 1

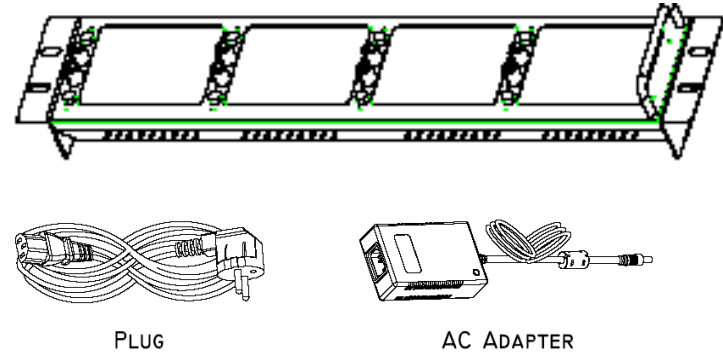


Fig. 1 Accessories

2. Installation

The model is in a metal case suitable for mounting into a 19" Rack frame, furniture, walls, etc. Insert four screws into the mounting holes in the front panel and mount the device to the desired location.

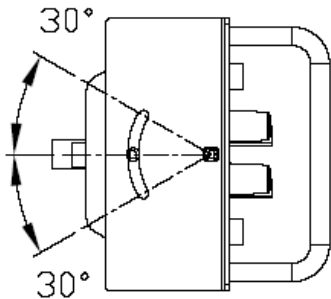


Fig. 2 Viewing angle after Installation

Fasten the screw to adjust the required viewing angle and then fasten the unit onto the 19" Rack Frame.

3. Connection

- 1) Connect an electronically regulated 12Volt power supply (29)

The positive pole must be connected to the centre contact.

- 2) Connect the Video source to Video input 1 (18)(21)(24)(27) or Video input 2 (19)

(22)(25)(28) for each individual display.

- 3) Select the Video source (4)(8)(12)(16) for different input.

- 3) Connect the Video output (17)(20)(23)(26) to another device if required.

4. Connections and Operating elements

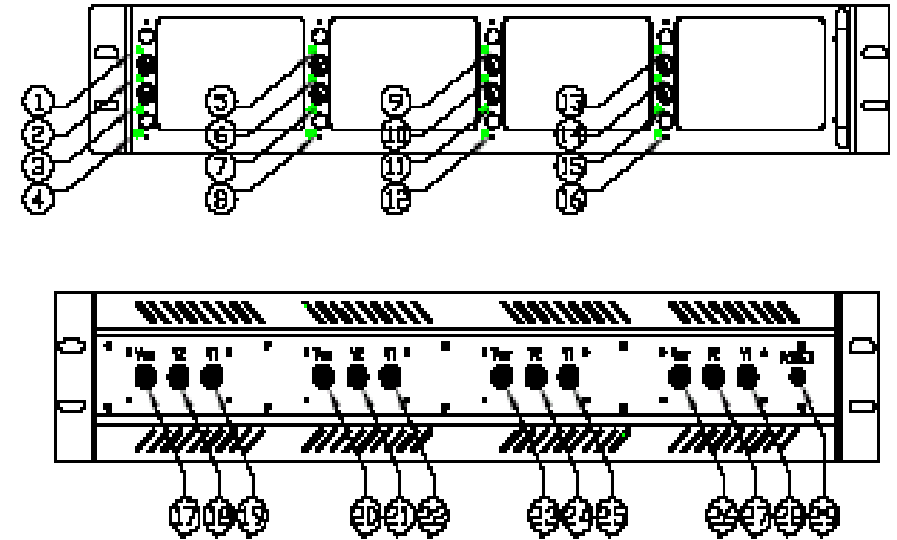


Fig. 3 Connectors and Controls

- | | |
|---------------------|--|
| (1) (5) (9) (13) | Main Power of the individual display |
| (2) (6) (10) (14) | Brightness Control |
| (3) (7) (11) (15) | Colour Control |
| (4) (8) (12) (16) | VI, VII Selector |
| (17) (20) (23) (26) | Selected Video loop output |
| (18) (21) (24) (27) | Video II input |
| (19) (22) (25) (28) | Video I input |
| (29) | 12Volt DC Power Input Centre Positive. |

PSI Displays Ltd

www.psidisplays.co.uk



LRM – 4521

4.0” x 4 - 19” Rack Mount

TFT LCD Monitor

User’s Manual

Version 3.3