



Image shows the L81AV

TFT LCD MONITOR

USER MANUAL

HV Series

L71AV L81AV L101AV L104AV/AK

L121AV/AK L151/152AV L156AV L171/172AV

L185AV L191/192AV L215AV L220AV

L240AV L270AV L320AV

Table Of Contents

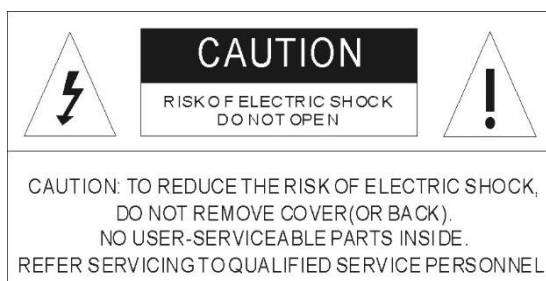
Table of contents/ Warning.....	2
Precautions	3
About this user manual / Items included in the delivery	4
1. IR-remote control	5
2. LCD monitor mounting	6
3. Monitor controls	8
4. Connections.....	10
5. Monitor settings via OSD menu	11
5.1 Picture	11
5.2 Audio	11
5.3 OSD.....	12
5.4 Function	12
5.5 PC.....	12
5.6 Geometry	13
6. Special features	13
7. Technical specifications	14

Warning:

TO REDUCE THE RISK OF FIRE OR ELECTRIC SHOCK, DO NOT EXPOSE THIS PRODUCT TO RAIN OR MOISTURE.

DO NOT INSERT ANY METALLIC OBJECT THROUGH VENTILATION GRILLS.

Caution:



Explanation of Graphical Symbols



Danger: This symbol is intended to alert the user to the presence of un-insulated "dangerous voltage" within the product's enclosure that may be of sufficient magnitude to constitute a risk of electric shock to a person.



Warning: This symbol is intended to alert the user to the presence of important operating and maintenance (servicing) instructions in the literature accompanying the appliance.

Precautions

Safety-----

Should any liquid or solid object fall into the cabinet, unplug the unit and have it checked by the qualified personnel before operating it any further.

Unplug the unit from the wall outlet if it is not going to be used for several days or more. To disconnect the cord, pull it out by the plug. Never pull the cord itself.

Allow adequate air circulation to prevent internal heat built-up. Do not place the unit on surfaces (rugs, blankets, etc.) or near materials (curtains, draperies) that may block the ventilation holes.

Safety Precautions

Federal Communications Commission (FCC) Statement

This Equipment has been tested and found to comply with the limits for a Class B digital device, pursuant to Part 15 of the FCC rules. These limits are designed to provide reasonable protection against harmful interference in a residential installation. This equipment generates, uses and can radiate radio frequency energy and, if not installed and used in accordance with the instructions, may cause harmful interference to radio communications. However, there is no guarantee that interference will not occur in a particular installation.

If this equipment does cause harmful interference to radio or television reception, which can be determined by turning the equipment off and on, the user is encouraged to try to correct the interference by one or more of the following measures:

- Reorient or relocate the receiving antenna.
 - Increase the separation between the equipment and receiver.
 - Connect the equipment into an outlet on a circuit different from that to which the receiver is connected.
 - Consult the dealer or an experienced radio/TV technician for help.
- You are cautioned that changes or modifications not expressly approved by that party responsible for compliance could void your authority to

Installation-----

Do not install the unit in an extremely hot or humid place or in a place subject to excessive dust or mechanical vibration.

The unit is not designed to be waterproof. Exposure to rain or water may damage the unit.

Cleaning-----

Clean the unit with a slightly damp soft cloth. Use a mild household detergent. Never use strong solvents such as thinner or benzene as they might damage the finish of the unit.

Retain the original carton and packing materials for safe transport of this unit in the future.

operate the equipment.

This device complies with Part 15 FCC Rules. Operation is subject to the following two conditions:

- (1) This device may not cause harmful interference.
- (2) This device must accept any interference received including interference that may cause undesired

About this user manual

This manual aims at assisting the user on how to operate the monitors described in this manual.

This manual is subject to rigid quality control. However, no guarantee can be given that mistakes are not present. We reserve the right to make changes to the manual without prior notice.

Before operating the appliance, please read this manual carefully and retain it for further reference. Verify that all appliance items are included in the delivery. Should items be missing, do not operate the appliance and contact your local dealer.


Never attempt to repair the appliance yourself. This should only be done by qualified service personnel.

Improper handling of the appliance will invalidate the warranty.

Items included in the delivery

- 1 x LCD monitor
- 1 x Power supply unit 12 V DC [Except for the 32"]
- 1 x Power cord
- 1 x VGA cable Optional
- 1 x IR remote control
- 1 x User manual

1. IR remote control

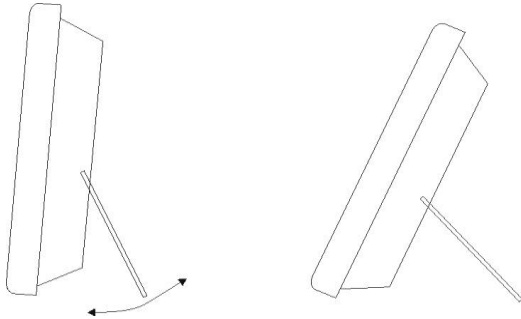
- (1). **Power:**
Press this button to turn the monitor on/off.
- (2). **Zoom:**
Press this button to toggle between the different picture formats:
Full/Zoom1/Zoom2/4:3(16:9)
- (3).  **Mute:**
Press this button to disable the sound.
Press this button again to turn the sound on again.
- (4). **PC/HD, AV1/AV2:**
You can select the appropriate signal source directly (PC/HD→ VGA/HD).
- (5). **Item:**
Hot key for OSD adjustments of volume, contrast, brightness, hue, saturation, sharpness, and Red Green Blue.
- (6). **Source:**
To switch the video inputs AV/VGA/HD. please use the IR remote control included in the delivery. This button is also used as „Enter“ and „Select“ function in the OSD menu. and to confirm your selected settings in the OSD menu.
- (7). **OK / Menu:**
Press this button to call-up the OSD menu.
This button is also used as “Exit”.
Note: The menu button is also used to return to the previous menu.
- (8). **Select ▲/▼:**
Directional buttons up/down.
- (9). **Display:**
Press this button to call-up screen information such as resolution, signal source, etc.
- (10) **Sleep:** Select the Automatic turn off time.



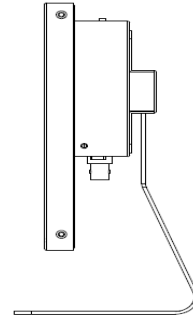
2 LCD monitor Mounting Guide

A. Desktop

Adjust the viewing angle of LCD to fit most comfortable monitoring status.



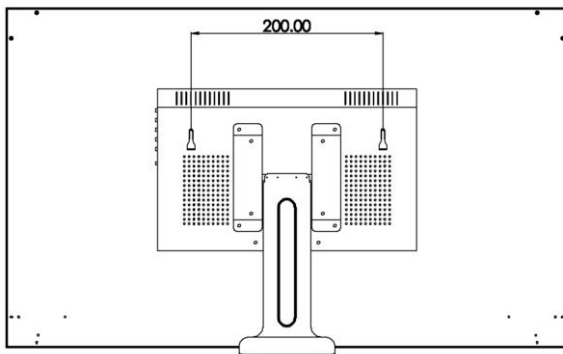
For: 7"/8"/10.1"



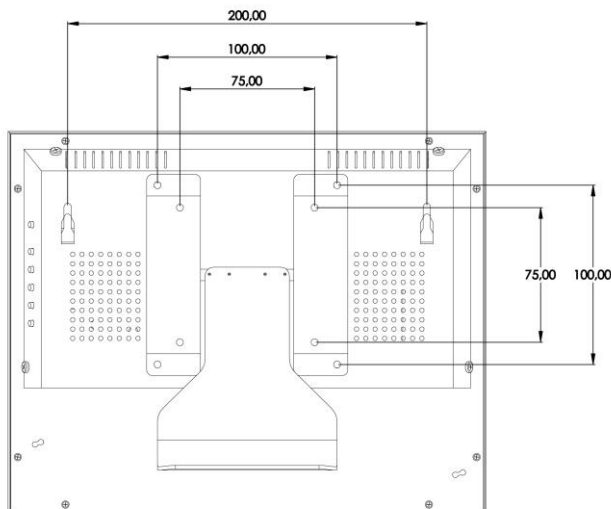
B. Wall mount

Free your space with wall mount design.

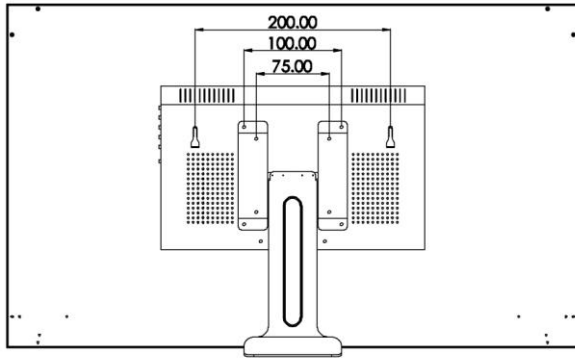
Please follow the fix-hole size in back panel to install the LCD to the wall.



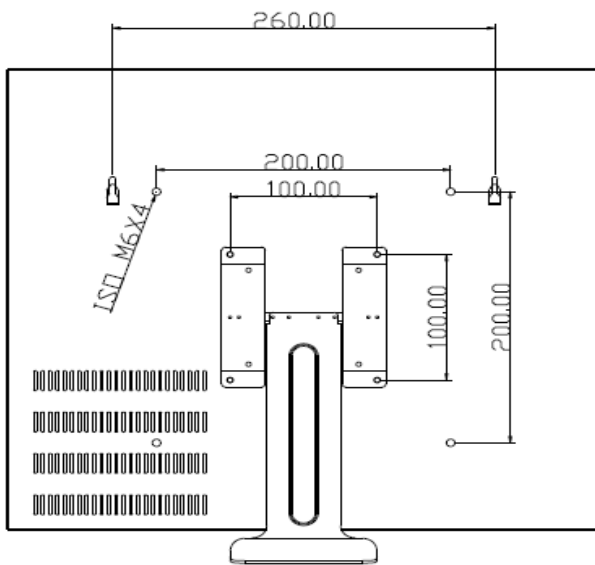
C. VESA Bracket



10.4"/12.1"



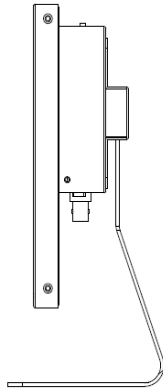
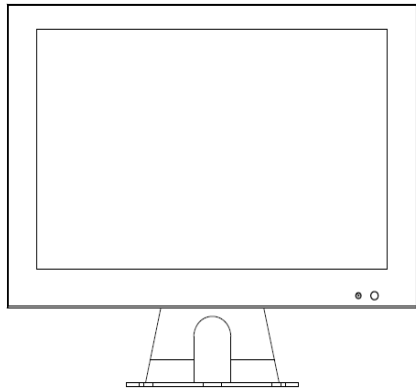
15"/15.6"/17"/18.5"
 19"/21.5"/22"/23.6"/24"/27"



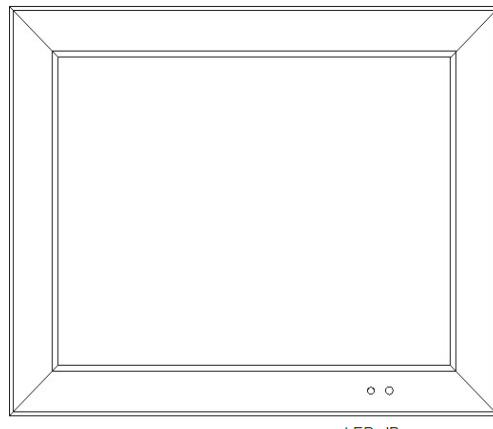
32"

3 Monitor controls

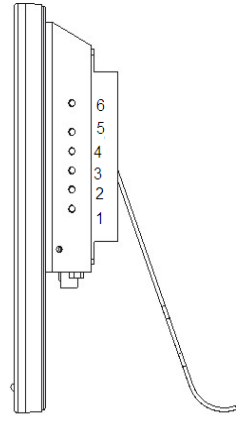
7"/8"/10.1" Metal



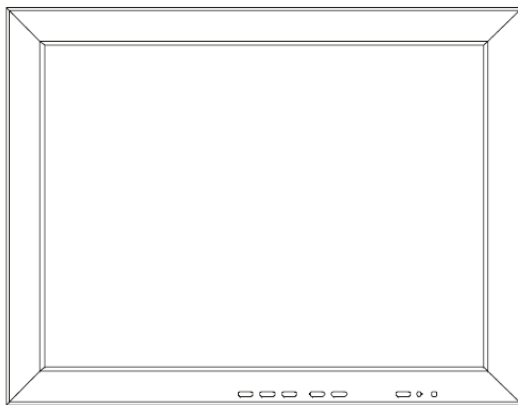
10.4"/12.1"/15"/15.6"/17"/18.5"/19"/21.5"/22"/23.6"/24"/27" Aluminium



LED IR

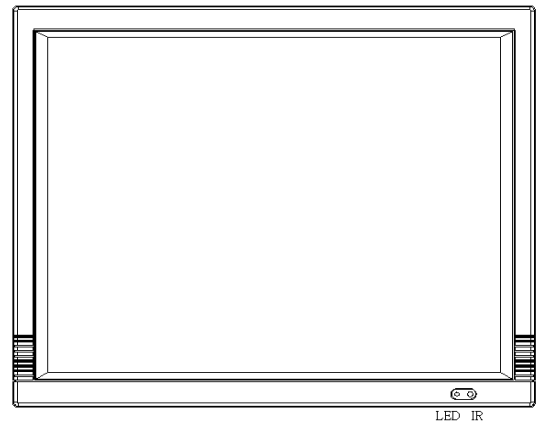


15"/17"/19" Aluminium



6 5 4 3 2 1

15"/17"/19" Plastic

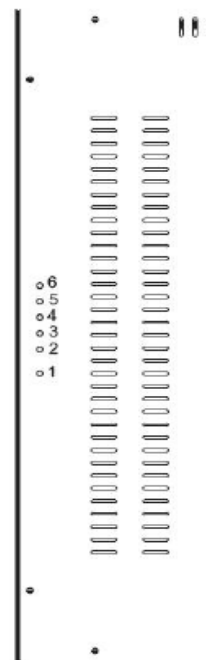


LED IR

32" Aluminium



LED IR



(1). Power

Turn the monitor on/off.

LED: Green Monitor on

LED: Red Standby mode (no input signal)

(2./3). Adjust Up / Down ▲/▼

Increase or decrease the values in the OSD menu:

Up: Increase the values.

Down: Decrease the values.

(4). Item/Select:

Hot key for OSD adjustments of volume, contrast, brightness, hue, saturation, sharpness, and Red, Green, Blue.

(5). Menu/Function:

Press this button to call-up the OSD menu.

This button is also used as "Exit".

(6). Source:

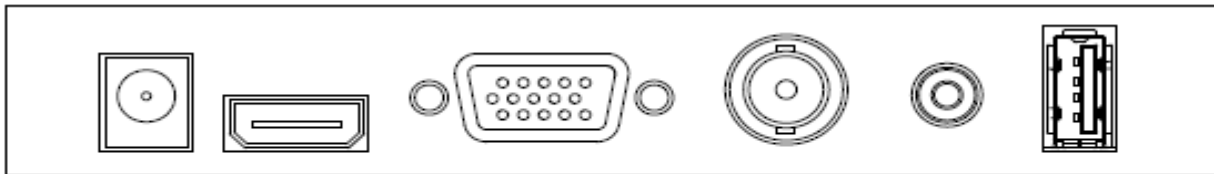
To switch the video inputs, (or sub picture source in pip mode). AV/VGA/HD

This button is also used as „Enter” and „Select” function in the OSD menu.

and to confirm your selected settings in the OSD menu.

4. Connections

7"~27"



DC12V
IN

Full HD
IN

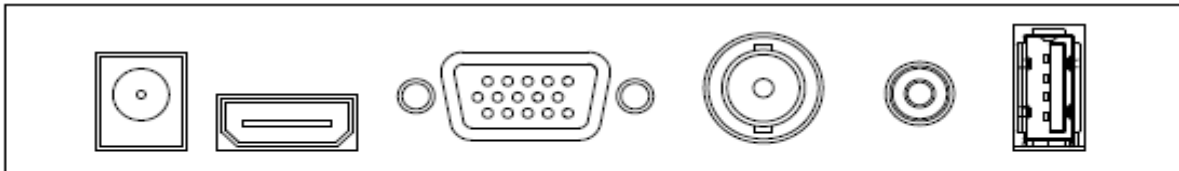
VGA IN

VIDEO IN

AUDIO IN

USB IN

32"



DC12V
OUT(1A)

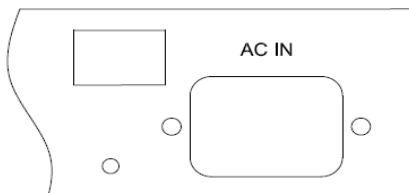
Full HD
IN

VGA IN

VIDEO IN

AUDIO IN

USB IN



NOTE :
Connections of Audio

	Audio
VIDEO	V
VGA	V

5. Monitor settings via OSD menu

Various monitor settings can be made using the OSD menu (On Screen Display).

Press the Menu/OK button to call-up the OSD main menu. Here you can make adjustments to the following items:

- Picture
- Audio
- OSD
Function
PC
- Geometry

Use the ▲/▼ buttons to toggle between the different items.

Press the Source button to select the appropriate item.

5.1 Picture

Use the ▲ ▼ buttons to select adjusts item and press source button to confirm.

Then use the ▲ ▼ buttons to increase/decrease the values,
or use “source” button to change the values.

Press the menu button to return to the previous menu item.

Item	Description
Contrast	Use the ▲ ▼ buttons to increase/decrease the screen contrast.
Brightness	Use the ▲ ▼ buttons to increase/decrease the screen brightness.
Hue	Use the ▲ ▼ buttons to increase/decrease the hue.
Saturation	Use the ▲ ▼ buttons to increase/decrease the saturation.
Sharpness	Use the ▲ ▼ buttons to increase/decrease the sharpness.
Colour Temp.	Use the source buttons to select the colour temperature: User, Warm, Cool.
Scale	Use the source buttons to select the picture size: Full/ Zoom1/ Zoom2/ 4:3(16:9).
Picture Mode	Use the source buttons to select the picture mode: User, Standard, Soft, Vivid.

5.2 Audio

Use the ▲ ▼ buttons to select adjusts item and press source button to confirm.

Then use the ▲ ▼ buttons to increase/decrease the values,
or use “source” button to change the values.

Press the menu button to return to the previous menu item.

Item	Description
Balance	Use the ▲ ▼ buttons to adjust the balance.
Volume	Use the ▲ ▼ buttons to adjust the volume.
Mute	Use the source buttons to change the Mute on/off.

5.3 OSD

Use the ▲ ▼ buttons to select adjusts item and press source button to confirm.
Then use the ▲ ▼ buttons to increase/decrease the values,
or use “source” button to change the values.
Press the menu button to return to the previous menu item.

Item	Description
Language	Use the source buttons to select the language.
H Position	Use the ▲ ▼ buttons to position the picture horizontally.
V Position	Use the ▲ ▼ buttons to position the picture vertically.
Duration	Use the ▲ ▼ buttons to setting the OSD menu display time.
Halftone	Use the ▲ ▼ buttons to setting the OSD menu display halftone.
Blue Screen	Use the source buttons to change the blue screen on/off.
Image Reverse	Use the source buttons to change the image reverse on/off.
Restore	Press the source button to restore the factory settings.
Information	Firmware Version

5.4 Function

Use the ▲ ▼ buttons to select adjusts item and press source button to confirm.
Then use the ▲ ▼ buttons to increase/decrease the values,
or use “source” button to change the values.
Press the menu button to return to the previous menu item.

Item	Description
Noise Reduction	Use the source buttons to select the level of noise reduction: Off, Low, Medium, High.
MPEG NR	Use the source buttons to select the level of MPEG noise reduction: Off, Low, High.
DLC	Use the source buttons to change the Black Level Extension on/off.
Screen Saver	Use the source buttons to on/off the screen saver :[Screen protector-Anti blur]

5.5 PC

Use the ▲ ▼ buttons to select adjusts item and press source button to confirm.
Then use the ▲ ▼ buttons to increase/decrease the values,
or use “source” button to change the values.
Press the menu button to return to the previous menu item.

Item	Description
Contrast	Use the ▲ ▼ buttons to increase/decrease the screen contrast.
Brightness	Use the ▲ ▼ buttons to increase/decrease the screen brightness.
Colour Temp	Use the source buttons to select the colour temperature: Normal, Warm, Cold, RGB, User.
Scale	Use the source buttons to select the picture size: Normal/Center
Screen Saver	Use the source buttons to on/off the screen saver [Screen protector-Anti blur]

5.6 Geometry

Use the ▲ ▼ buttons to select adjusts item and press source button to confirm.
Then use the ▲ ▼ buttons to increase/decrease the values,
or use “source” button to change the values.
Press the menu button to return to the previous menu item.

Item	Description
H Position	Use the ▲ ▼ buttons to position the picture horizontally.
V Position	Use the ▲ ▼ buttons to position the picture vertically.
Clock	Use the ▲ ▼ buttons to Adjust image distortion appearing as vertical or “noise” on the screen.
Phase	Use the ▲ ▼ buttons to Adjust image distortion appearing as horizontal or “noise” on the screen.
Auto Adjust	Use the source buttons to Adjust the best image.

PC timing:

Mode	Resolution
1	800 x 600 @ 60
2	800 x 600 @ 72
3	800 x 600 @ 75
4	1024 x 768 @ 60
5	1280 x 1024 @ 60
6	1360 x 768 @ 60
7	1440 x 900 @ 60
8	1920 x 1080 @ 60

6. Special features

- Special Video Processor.
- NTSC/PAL Auto Switch.
- 3D De-interlace Technology.
- 3D Comb Filter Technology.
- Automatic Colour Control and Colour Killer.
- Luminance transient improvement(LTI),Chrominance transient improvement(CTI)
- Directional zoom engine.
- Build-in 2W speaker.
- Support IR remote controller.
- VESA standard bracket 75/100mm..(100/200mm for 32”.)

7. Technical specifications

Monitor model	L71AV	L81AV	L101AV
System	PAL / NTSC		
LCD panel	7"	8"	10.1"
Visible area (mm)	153.6x 90.0	176.64x 99.36	216.96 x 135.60
Picture format	17:10	17:10	16 :10
Max. resolution	1024x600	1024x600	1280 x 800
Pixel dot pitch (mm)	0.05 x 0.15	0.1725 x 0.1656	0.0565x 0.1695
Colours	16.2M	16.2M	16.2M
Brightness	500 cd/m ² [LED]	500 cd/m ² [LED]	350 cd/m ² [LED]
Contrast	700 :1	700 :1	800 :1
Response time(Tr/Tf)	10/15 ms	10/20 ms	10/15ms
View angle (U/D/L/R)	70/75/75/75	70/75/75/75	85/85/85/85
Video input	1x/ Composite (BNCx1)		
Full HD input	1x (A Type)		
Audio input	1x(3.5 ϕ phone jack)		
PC input	1x VGA input (D-Sub 15 pin)		
USB input	1x USB A type		
Speaker	2x built-in speaker (2 watt)		
3D Comb Filter	Yes		
3D De-Interlace function	Yes		
OSD setting	Yes		
Power input	AC 100-240V 50/60Hz, Adapter DC 12V/2A		
Power consumption	Approx. 8 watt	Approx. 8 watt	Approx. 7 watt
Dimensions (WxHxD) mm (with stand)	191.6x96.9x195.8	218.3x96.9x196.5	255.1x96.9x218.3
Weight	1.3 kg	1.4 kg	1.6kg
Operating temperature	0° to 40° C		

Subject to technical changes without prior notice. Error excepted.

Monitor model	L104AK	L121AV/AK	
System	PAL / NTSC		
LCD panel	10.4"	12.1"	
Visible area (mm)	211.2 x 158.4	246 x 184.5	245.76x184.32
Picture format	4 : 3	4 : 3	
Max. resolution	1024x768	800x600	1024x768
Pixel dot pitch (mm)	0.2063x0.2063	0.3075 x 0.3075	024x024
Colours	16.7M	262K	
Brightness	1000cd/m ² [LED]	450 cd/m ² [LED]	500 cd/m ² [LED]
Contrast	900:1	700:1	
Response time	16ms	35 ms	
View angle (U/D/L/R)	75/75/75/75	65/75/80/80	80/80/80/80
Video input	1x/ Composite (BNCx1)		
Full HD input	1x (A Type)		
Audio input	1x(3.5 ϕ phone jack)		
PC input	1x VGA input (D-Sub 15 pin)		
USB input	1x USB A type		
Speaker	2x built-in speaker (2 watt)		
3D Comb Filter	Yes		
3D De-Interlace function	Yes		
OSD setting	Yes		
Power input	AC 100-240V 50/60Hz, Adapter DC 12V/2A		
Power consumption	Approx. 12 watt	Approx. 12 watt	
Dimensions (W*H*D) mm	266 x 214 x 60	300 x 239 x 61	
Weight	2.3 kg	2.6 kg	
Operating temperature	0° to 40° C		

Subject to technical changes without prior notice. Error excepted.

Monitor model	L104AV/AK		L121AV/AK	
System	PAL / NTSC			
LCD panel	10.4"		12.1"	
Visible area (mm)	211.2 x 158.4		246 x 184.5	245.76x184.32
Picture format	4 : 3		4 : 3	
Max. resolution	800 x 600	1024x768	800x600	1024x768
Pixel dot pitch (mm)	0.264 x 0.264	0.2063x0.2063	0.3075 x 0.3075	024x024
Colours	262 K	16.7M	262K	
Brightness	400 cd/m ² [LED]	350cd/m ² [LED]	450 cd/m ² [LED]	500 cd/m ² [LED]
Contrast	700 :1	900:1	700:1	
Response time	30 ms	16ms	35 ms	
View angle (U/D/L/R)	60/80/80/80	75/75/75/75	65/75/80/80	80/80/80/80
Video input	1x/ Composite (BNCx1)			
Full HD input	1x (A Type)			
Audio input	1x(3.5 ϕ phone jack)			
PC input	1x VGA input (D-Sub 15 pin)			
USB input	1x USB A type			
Speaker	2x built-in speaker (2 watt)			
3D Comb Filter	Yes			
3D De-Interlace function	Yes			
OSD setting	Yes			
Power input	AC 100-240V 50/60Hz, Adapter DC 12V/2A			
Power consumption	Approx. 11 watt		Approx. 12 watt	
Dimensions (W*H*D) mm	266 x 214 x 60		300 x 239 x 61	
Weight	2.3 kg		2.6 kg	
Operating temperature	0° to 40° C			

Subject to technical changes without prior notice. Error excepted.

Monitor model	L151/152AV		L156AV	
System	PAL / NTSC			
LCD panel	15"		15.6"	
Visible area (mm)	304 x 228		344.2 x 193.5	
Picture format	4 : 3		16 : 9	
Max. resolution	1024 x 768		1366x768	1920x1080
Pixel dot pitch (mm)	0.297 x 0.297		0.252 x 0.252	
Colours	16.7M		16.7M	262K
Brightness	250 cd/m ²	400 cd/m ²	300 cd/m ² [LED]	
Contrast	600 :1		500:1	
Response time (Tr/Tf)	6/2 ms		6/2 ms	
View angle (U/D/L/R)	80/80/80/80		80/80/85/85	60/60/70/70
Video input	1x/ Composite (BNCx1)			
Full HD input	1x (A Type)			
Audio input	1x(3.5 ϕ phone jack)			
PC input	1x VGA input (D-Sub 15 pin)			
USB input	1x USB A type			
Speaker	2x built-in speaker (2 watt)			
3D Comb Filter	Yes			
3D De-Interlace function	Yes			
OSD setting	Yes			
Power input	AC 100-240V 50/60Hz, Adapter DC 12V/5A			
Power consumption	Approx. 18 watt		Approx. 19 watt	Approx.13.5 watt
Dimensions (W*H*D) mm	357 x 283 x 64		401.5 x 251x 60.3	
Weight	3.2 kg		3.4kg	
Operating temperature	0° to 40° C			

Subject to technical changes without prior notice. Error excepted.

Monitor model	L171/172AV	L185AV	L191/192AV
System	PAL / NTSC		
LCD panel	17"	18.5"	19"
Visible area (mm)	338 x 270	409.8x 230.4	376x301
Picture format	4 : 3	16 : 9	4 : 3
Max. resolution	1280 x 1024	1366x768	1280x1024
Pixel dot pitch (mm)	0.264 x 0.264	0.3x0.3	0.098 x 0.249
Colours	16.7M	16.7M	16.7M
Brightness	250 cd/m ² 400 cd/m ²	250 cd/m ² [LED]	250 cd/m ² [LED]
Contrast	1000 :1	1000:1	1000:1
Response time	1.2/3.8 ms	3.6/1.4 ms	1.3/3.7 ms
View angle (U/D/L/R)	80/80/80/80	80/80/85/85	80/80/85/85
Video input	1x/ Composite (BNCx1)		
Full HD input	1x (A Type)		
Audio input	1x(3.5 ϕ phone jack)		
PC input	1x VGA input (D-Sub 15 pin)		
USB input	1x USB A type		
Speaker	2x built-in speaker (2 watt)		
3D Comb Filter	Yes		
3D De-Interlace function	Yes		
OSD setting	Yes		
Power input	AC 100-240V 50/60Hz, Adapter DC 12V/5A		
Power consumption	Approx. 20 watt	Approx. 21 watt	Approx. 22 watt
Dimensions (W*H*D) mm	391 x 352 x 69	464.4 x 285 x 63.2	430 x 356 x 66.7
Weight	3.9kg	4.2 kg	5.5kg
Operating temperature	0° to 40° C		

Subject to technical changes without prior notice. Error excepted.

Monitor model	L215AV	L220AV	L238AV
System	PAL / NTSC		
LCD panel	21.5"	22"	23.8"
Visible area (mm)	476.6 x 268.1	473.7 x 296.1	525.22x297.22
Picture format	16 : 9	16 : 9	16 : 9
Max. resolution	1920 x 1080	1680x1050	1920 x 1080
Pixel dot pitch (mm)	0.248x0.248	0.282x 0.282	0.2715x0.2715
Colours	16.7M	16.7M	16.7M
Brightness	250 cd/m ² [LED]	250 cd/m ² [LED]	300 cd/m ² [LED]
Contrast	1000 :1	1000:1	1000:1
Response time (Tr/Tf)	1.3/3.7 ms	3.6/1.4 ms	1.5/3.5 ms
View angle (U/D/L/R)	80/80/85/85	80/80/85/85	80/80/85/85
Video input	1x/ Composite (BNCx1)		
Full HD input	1x (A Type)		
Audio input	1x(3.5 ϕ phone jack)		
PC input	1x VGA input (D-Sub 15 pin)		
USB input	1x USB A type		
Speaker	2x built-in speaker (2 watt)		
3D Comb Filter	Yes		
3D De-Interlace function	Yes		
OSD setting	Yes		
Power input	AC 100-240V 50/60Hz, Adapter DC 12V/5A		
Power consumption	Approx. 22 watt	Approx. 23 watt	Approx. 24 watt
Dimensions (WxHxD) mm	532.3 x 323.3 x 65	525 x 345x 65	575 x 347 x 66
Weight	5.7kg	6.0kg	5.5kg
Operating temperature	0° to 40° C		

Subject to technical changes without prior notice. Error excepted.

Monitor model	L240AV	L270AV
System	PAL / NTSC	
LCD panel	24"	27"
Visible area (mm)	531.3 x 298.8	597.6x 336.15
Picture format	16 : 9	16 : 9
Max. resolution	1920x1080	1920x1080
Pixel dot pitch (mm)	0.2767 x0.276 7	0.31125 x0.31125
Colours	16.7M	16.7M
Brightness	250 cd/m ² [LED]	300 cd/m ² [LED]
Contrast	3000:1	3000:1
Response time (Tr/Tf)	7/5 ms	7/5 ms
View angle (U/D/L/R)	89/89/89/89	89/89/89/89
Video input	1x/ Composite (BNCx1)	
Full HD input	1x (A Type)	
Audio input	1x(3.5 ϕ phone jack)	
PC input	1x VGA input (D-Sub 15 pin)	
USB input	1x USB A type	
Speaker	2x built-in speaker (2 watt)	
3D Comb Filter	Yes	
3D De-Interlace function	Yes	
OSD setting	Yes	
Power input	AC 100-240V 50/60Hz, Adapter DC 12V/5A	
Power consumption	Approx. 24watt	Approx. 28.5watt
Dimensions (WxHxD) mm	575.9 x 347.8 x 56.7	658 x 396.6 x 60.5
Weight	5.7kg	7kg
Operating temperature	0° to 40° C	

Subject to technical changes without prior notice. Error excepted.

Monitor model	L320AV
System	PAL / NTSC
LCD panel	31.5"
Visible area (mm)	698.4 x 392.8
Picture format	16 : 9
Max. resolution	1920 x 1080
Pixel dot pitch (mm)	0.36375x 0.37375
Colours	16.7M
Brightness	350 cd/m ² [LED]
Contrast	3000 :1
Response time (G to G)	6.5ms
View angle (U/D/L/R)	89/89/89/89
Video input	1x/ Composite (BNCx1)
Full HD input	1x (A Type)
Audio input	1x(3.5 ϕ phone jack)
PC input	1x VGA input (D-Sub 15 pin)
USB input	1x USB A type
Speaker	2x built-in speaker (2 watt)
3D Comb Filter	Yes
3D De-Interlace function	Yes
OSD setting	Yes
Power input	AC 100-240V 50/60Hz
Power consumption	Approx. 57 watt
Dimensions (WxHxD) mm	761.6x 455.2 x 75
Weight	13kg
Operating temperature	0° to 40° C

Subject to technical changes without prior notice. Error excepted.

Appendixes

Troubleshooting

The tables provided below include some problems that the user may encounter while using the display and the corresponding solutions. Please refer to the contents of this section prior to contacting service personnel.

Problem	Possible Causes	Solutions
No picture	<ol style="list-style-type: none"> 1. Is the power cable connected to the unit? 2. Is the unit turned on? 3. Is the signal cable connected to the unit? 4. Is the unit in power saving mode? 	<ol style="list-style-type: none"> 1. Make sure the power cable has been properly connected to the unit. 2. Turn on the unit. 3. Make sure the signal cable has been properly connected to the unit. 4. Press any key on computer keyboard.
Strange colour	<ol style="list-style-type: none"> 1. Is the signal cable connected to the unit? 	<ol style="list-style-type: none"> 1. Make sure the signal cable has been properly connected to the unit.
Picture distortion	<ol style="list-style-type: none"> 1. Is the signal cable connected to the unit? 2. Is the video input signal within the unit's specified frequency range? 	<ol style="list-style-type: none"> 1. Make sure the signal cable has been properly connected to the unit. 2. Make sure the input signal is within the unit's specified frequency range.
Picture is too dim	<ol style="list-style-type: none"> 1. Have the unit's brightness and contrast settings been set to the lowest level? 	<ol style="list-style-type: none"> 1. Adjust brightness and contrast
Only sound but no picture	<ol style="list-style-type: none"> 1. Is the connection of the input signal correct? 	<ol style="list-style-type: none"> 1. Check connection of input signal. 2. Make sure the signal cable has been properly connected.
Only picture but no sound	<ol style="list-style-type: none"> 1. Is the signal cable connected to the unit? 2. Has the volume been set to the min level? 3. Is the audio cable connected to the unit? 	<ol style="list-style-type: none"> 1. Make sure the signal cable has been properly connected to the unit. 2. Adjust the volume to an appropriate setting. 3. Make sure the audio cable has been properly connected to the unit.

Please contact the customer service centre of your local dealer if you have any questions regarding the unit after reading the information provided above.