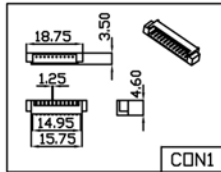
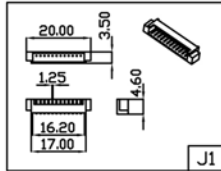


CDN1 10PIN CONNECTOR & DSD



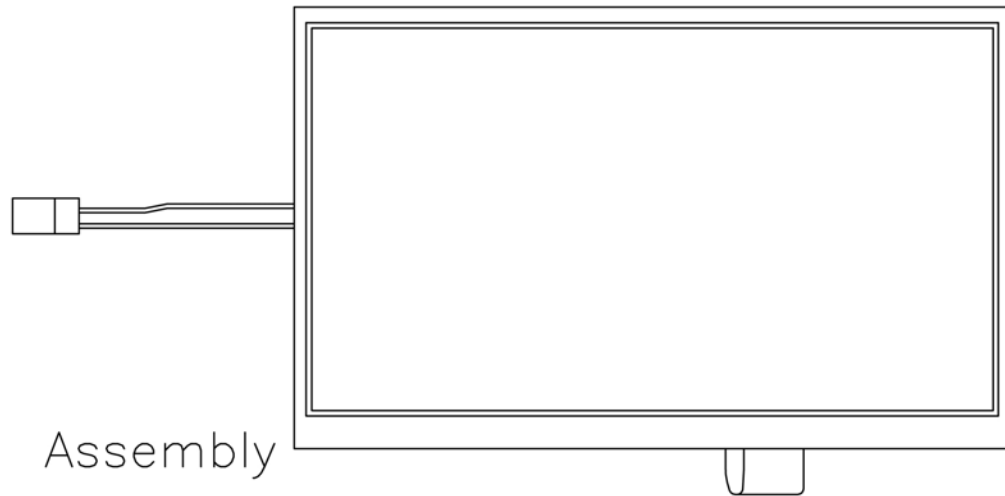
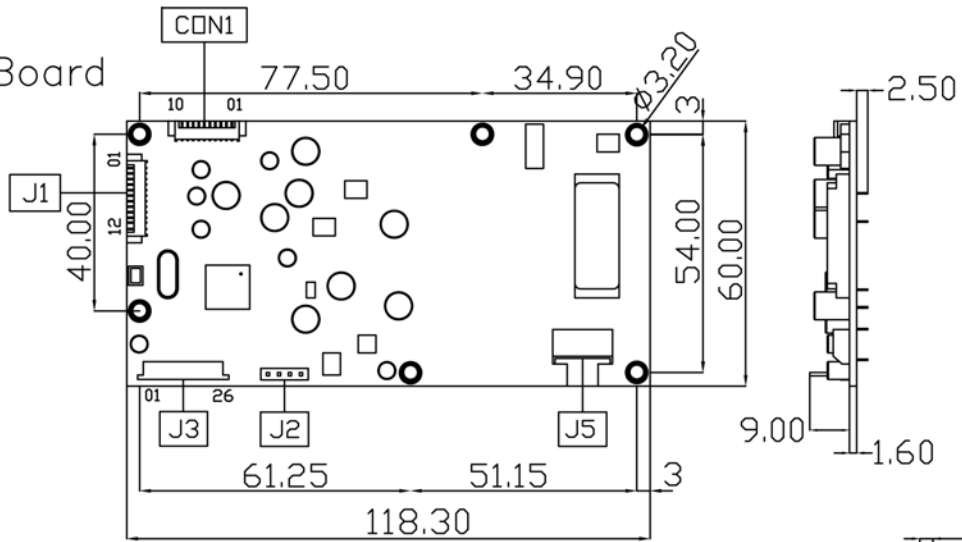
J1 12PIN CONNECTOR & IO



Pin	Symbol
1	+ 5V
2	
3	MENU
4	UP
5	Power EN
6	Down
7	SELECT
8	LED
9	ROTATION
10	GND

Pin	Symbol
1	AUDIO Out
2	AUDIO In
3	AUDIO GND
4	Video Out
5	V2
6	V1
7	Video GND
8	Power GND
9	+12V
10	+12V
11	Speaker +
12	Speaker -

Driver Board



Assembly

Line Drawing for:
Model No. LCD7323mod
 All sizes are in mm

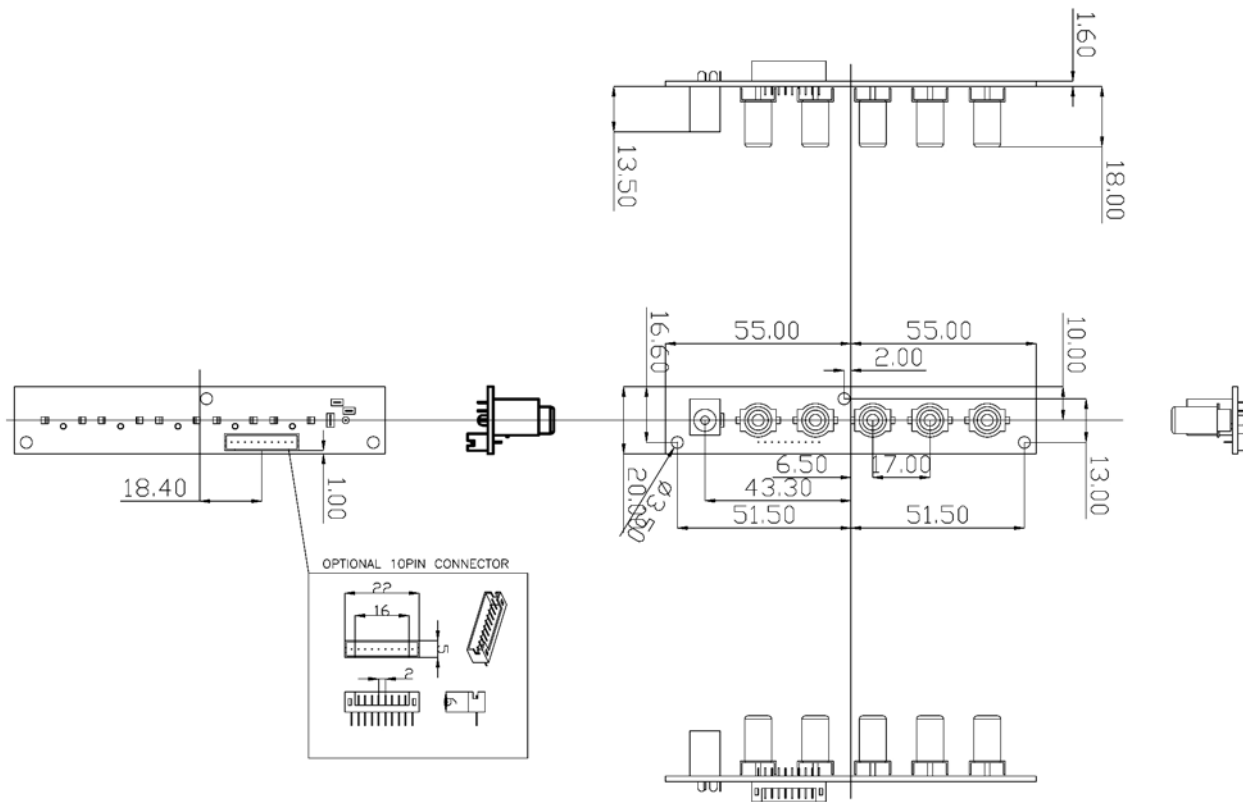
Psi

Product Shop International Ltd.

Po Box 5503, Newbury, Berkshire, RG14 6YP, UK.

Tel: +44 (0) 844 800 4433 e-mail: sales@productshop.co.uk

Fax: +44 (0) 844 800 9876 Web site: www.productshop.co.uk



Line Drawing for:
Model No. LCD7323mod I/O
 All sizes are in mm

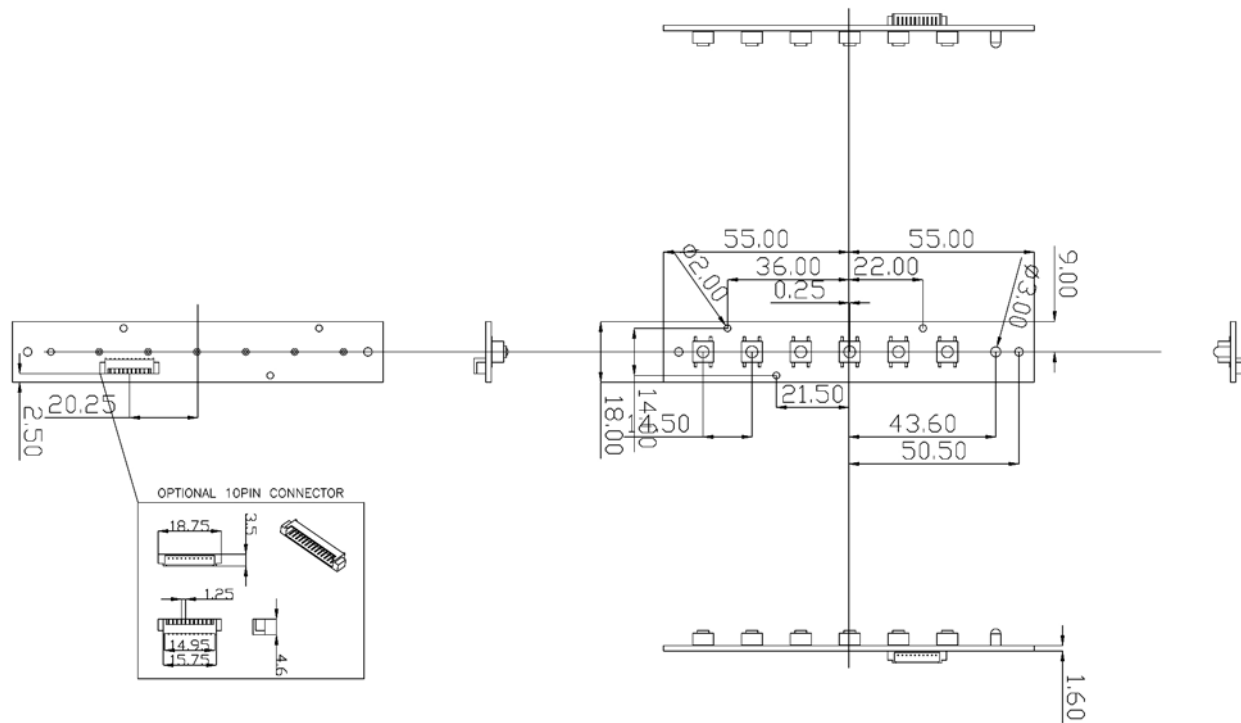
Psi

Product Shop International Ltd.

Po Box 5503, Newbury, Berkshire, RG14 6YP, UK.

Tel: +44 (0) 844 800 4433 e-mail: sales@productshop.co.uk

Fax: +44 (0) 844 800 9876 Web site: www.productshop.co.uk



Line Drawing for:
Model No. LCD7323mod OSD
 All sizes are in mm

Psi

Product Shop International Ltd.

Po Box 5503, Newbury, Berkshire, RG14 6YP, UK.

Tel: +44 (0) 844 800 4433 e-mail: sales@productshop.co.uk

Fax: +44 (0) 844 800 9876 Web site: www.productshop.co.uk