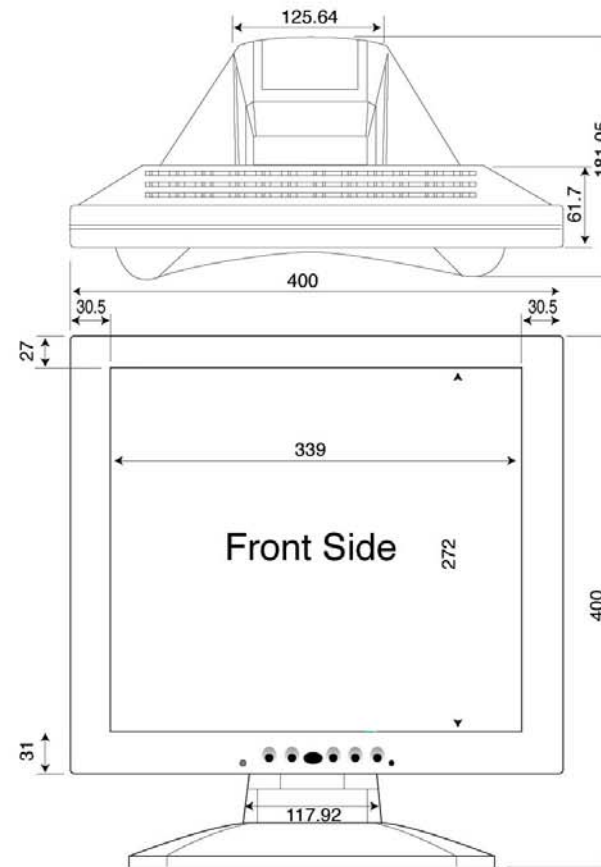
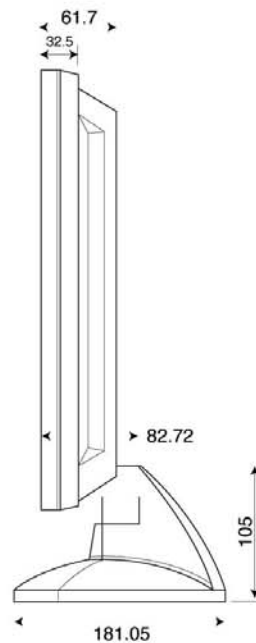
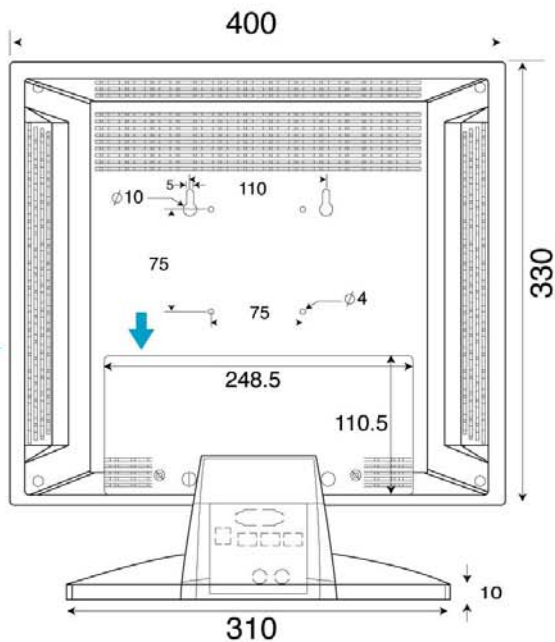


820AV

Signal Panel

Back Side



Line Drawing for:

Model No. 820AV

All sizes are in mm

Psi

Product Shop International Ltd.

Po Box 5503, Newbury, Berkshire, RG14 6RB, UK.

Tel: +44 (0) 8708 50 55 55 e-mail: sales@productshop.co.uk

Fax: +44 (0) 8708 50 55 44 Web site: www.productshop.co.uk