

Copyright ©2010 by this company. No. Part of this publication may be reproduced, transmitted, transcribed, stored in a retrieval system or translated into any language or computer language, in any form or any means. Electronic, mechanical, magnetic, optical, chemical, manual or otherwise, without the prior written permission of this company.

SAFETY INSTRUCTION

1. Never push objects of any kind, or spill liquid of any kind into these products.
2. Do not attempt to service this product yourself, as opening or removing covers may expose you to dangerous voltage points or other risk. Refer all servicing to qualified service personnel, if any misuse mentioned above happened or any accident dropping, miss-operations occurred.

7. Security notes

The unit is only suitable for indoor use. The heat being generated in the unit has to be removed via air circulation. Therefore the circulation vents at the housings must not be covered with any objects.. Do not insert or drop anything into the air vents ! This could result in a short-circuit. If the unit is used for purposes other than originally intended, if it is connected in the wrong way or not repaired by authorized skilled personnel, there is no liability for possible damage. To cleaning only use a dry, soft cloth, by no means chemicals or water. .If the unit is to be put out of operation definitively, bring it to a local recycling plant for disposal.

8. Technical Data

Screen Size	19" Diagonal
Resolution	WXGA 1280 X 1024
Number of Colors	262,144 Colors
Pixel Pitch and Format	0.297 x 0.297
Brightness	450 cd/m ²
Contrast Ratio	1000:1
Operating Temp.	0°C ~ 50°C
Storage Temp	-20°C ~ +60°C
Backlight	CCFL
Viewing Angle	R/L 75deg, U/D 70/ 75 deg
Power Consumption	1.25A DC 12V
Video Input level	1.0Vpp ±0.5Vpp
Video Impedance	75Ω
PC Input	15pin D-Sub

5 Operation

- 1) Switch on the device with the Energy Saving Main Power. 01
- 2) Then turn the 04 Power bottom.
- 3) Select the Video input Source 05
- 4) Adjust the Brightness with the 08
- 5) Please push OSD Control Menu 06 to select the Brightness, Contrast, and other controls that you wish to change , then use 03 or 05 to get desired picture.

6 Application range

The LCD color monitors offer a sharp and high contrast display. They can be universally applied, e.g. in surveillance systems, in reverse monitoring car systems or marine bridge for multimedia applications, IP 65 Waterproof Rating

1.Contents :

19" Monitor x 1 Power supply x 1
Wall Mount Bracket x 2, Panel Cut Dimension 1:1

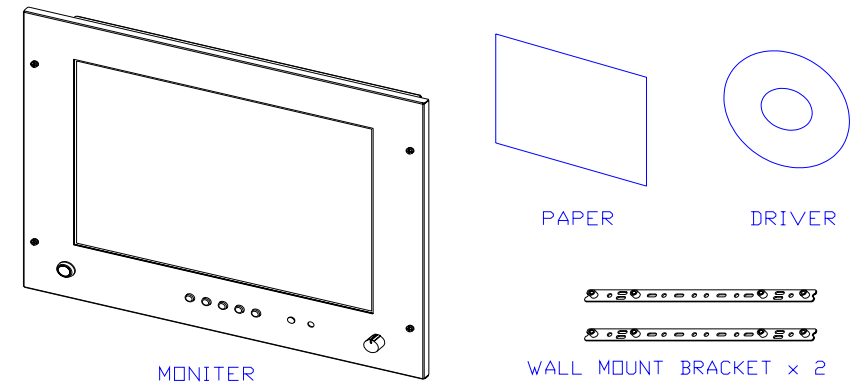


Fig. 1 Connectors and Controls

2. Installation

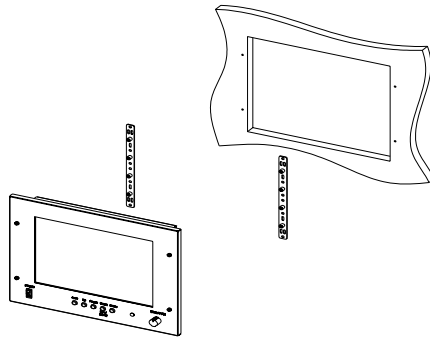


Fig.2 Installation

Please use the Panel Cut Dimension Sheet to cut an 1:1 opening on where your wish to install the monitor, then fasten the two brackets onto the wall, then fasten the monitor on to bracket.

3. Connection

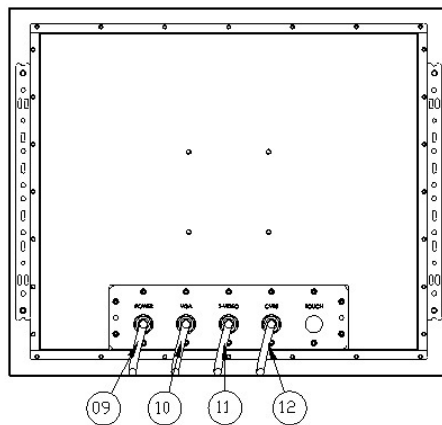


Fig.3 Connectors

- 1) Connect the 12V DC into 09 , (positive center)
- 2) Connect the PC RGB input to 00
- 3) Connect the S-Video source 01
- 4) Connector the CVBS (Video source) to 02

4. Connections and operating Elements

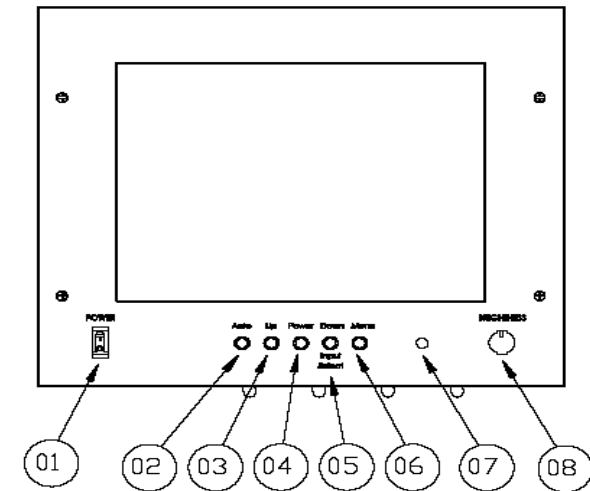


Fig. 4 Controls

- | | |
|--|------------------------|
| 01 Energy Saving Main Power. | 02 Auto |
| 03 <input type="checkbox"/> Increase (default to Brightness) | 04 OSD Power on |
| 05 <input type="checkbox"/> Decrease (default to Input Select) | |
| 06 OSD Menu | 07 LED Power Indicator |
| 08 Brightness Control | |

LM -1950
19" Waterproof Monitor

User's Manual

Version 1.0

