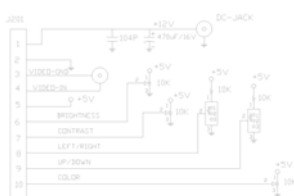
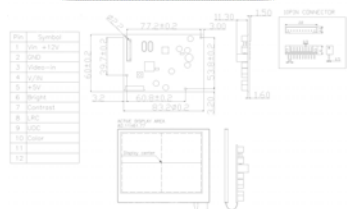
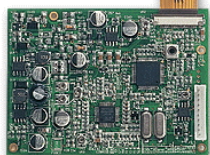


LCD COLOUR Module

Model No. LCD412mod

4.0" TFT LCD Colour Module, LED Backlight, Digital Panel, 2 x Composite video inputs, Video output. NTSC and PAL Auto. Options: Input/Output/Control PCB. Other sizes available.



Main Features:

- Resolution: 480 x 234
- Picture Ratio: 4:3
- Brightness: 250 cd/m²
- Contrast Ratio: 150:1
- LED Back Light.
- Digital Panel.
- Low Power consumption.
- Inputs: Composite video.
- Single 10 Pin SIL connection.
- Image Rotation: Left/Right/Up/Down.
- NTSC and PAL (Auto select).

The LCD412mod with TFT technology, offers Professional sharp images. With Digital Panel, LED Backlight and single connections this is a truly versatile Monitor. This compact unit is ideal for Multimedia Video, CCTV and Surveillance systems applications.

SPECIFICATIONS:

- Active area: 82.1 x 61.7 (WxH)mm. • 16.2M Colours. • PAL and NTSC Auto.
- Response Time: 15/25ms (Tr/Tf). • Viewing angle: Left/Right: 45°, Up: 30°, Down 60°.
- Dot Pitch: 0.171 x 0.264 (WxH)mm
- Connections for: Brightness, Contrast, Colour, Image rotation, DC input, Video input.
- Power Source: 12V DC, 250 mA, 3 Watts approx.
- Dimensions: Panel: 95.35 x 77.0 x 3.5. PCB: 83.2 x 60.0 x 11.3 (WxHxD)mm.
- Weight: Unit: 150gms, Carton: 450gms. • Temp: Operation: 0°C~60°C, Storage: -20~ 80°.

Connections: 10 Pin SIL Connector. See Application Diagram.

Standard accessories: None

• Please note: A degree of technical knowledge will be required to install this module

- All information correct at time of going to press. Design and specification are subject to change without prior notice. E&EO

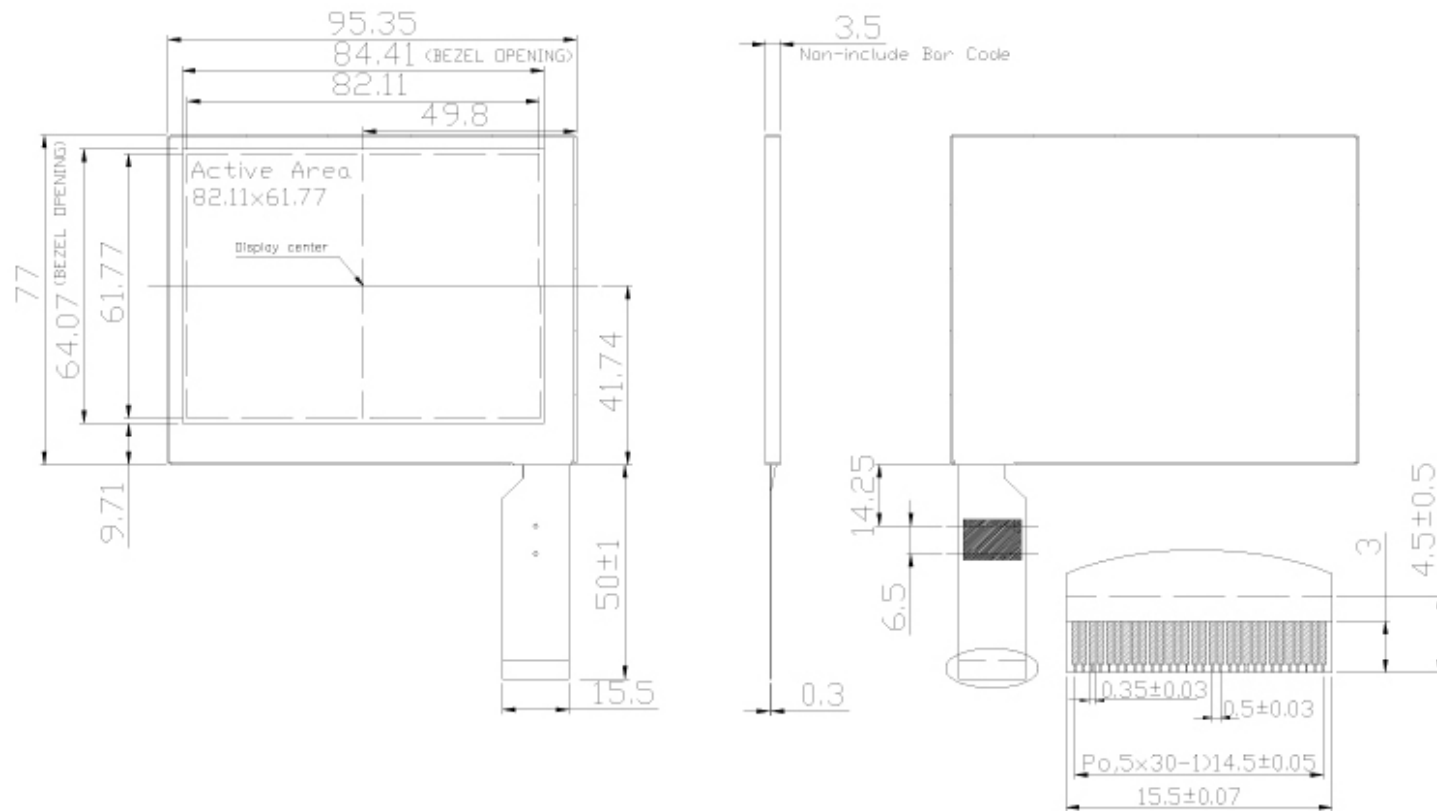
Product Shop International Ltd

PO Box 5503, Newbury, Berkshire, RG14 6YP. UK

e-mail: sales@productshop.co.uk Website www.productshop.co.uk

Tel: +44 (0) 844 800 4433 Fax: +44 (0) 844 800 9876

Registered office: As above. Registered No. 3852764 VAT No. GB 727 0478 29



**Line Drawing for:
Model No. LCD412mod – Panel**

All sizes are in mm

Drawing not to scale.

Psi

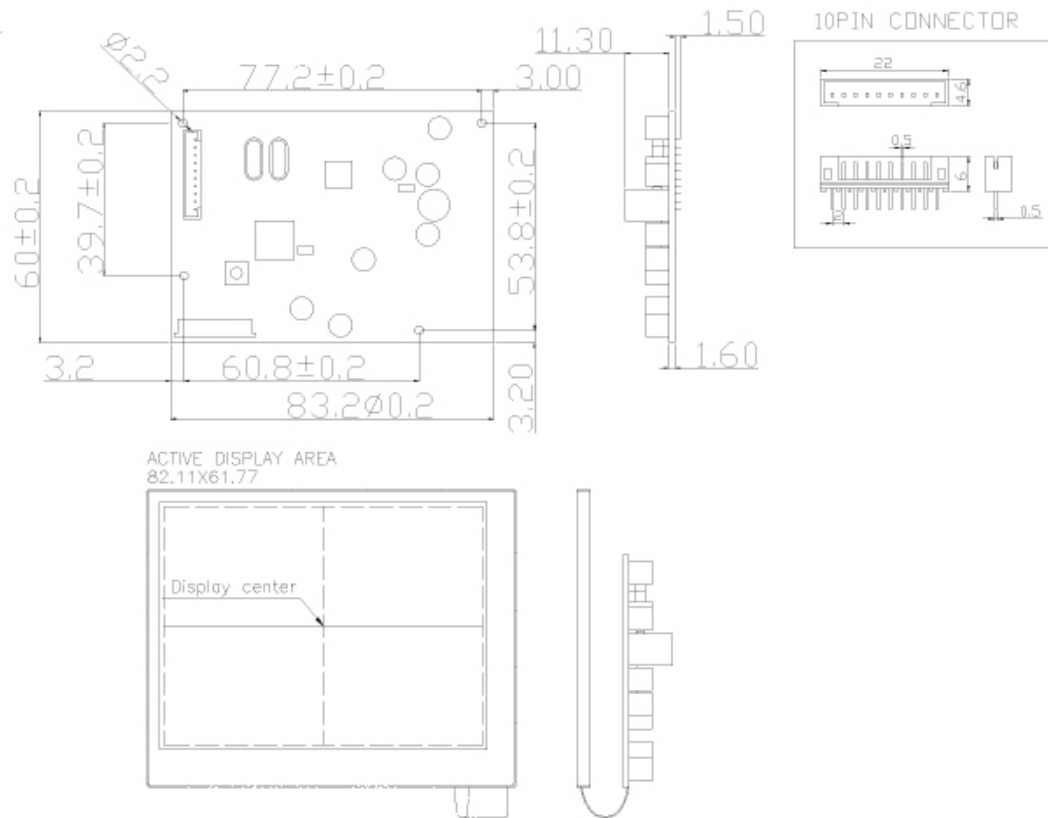
Product Shop International Ltd.

Po Box 5503, Newbury, Berkshire, RG14 6YP, UK.

Tel: +44 (0) 844 800 4433 e-mail: sales@productshop.co.uk

Fax: +44 (0) 844 800 9876 Web site: www.productshop.co.uk

Pin	Symbol
1	Vin +12V
2	GND
3	Video-in
4	V/IN
5	+5V
6	Bright
7	Contrast
8	LRC
9	UDC
10	Color
11	
12	



**Line Drawing for:
Model No. LCD412mod – PCB**

All sizes are in mm

Drawing not to scale.

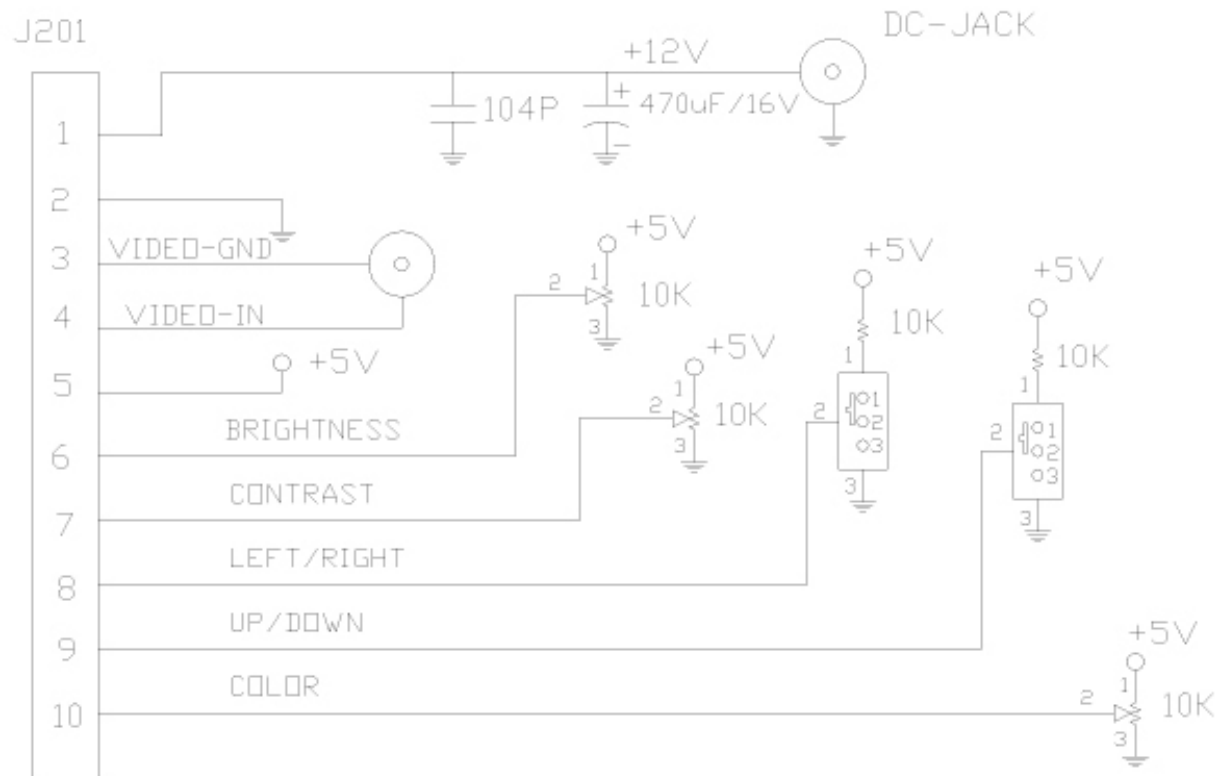
Psi

Product Shop International Ltd.

Po Box 5503, Newbury, Berkshire, RG14 6YP, UK.

Tel: +44 (0) 844 800 4433 e-mail: sales@productshop.co.uk

Fax: +44 (0) 844 800 9876 Web site: www.productshop.co.uk



Application Diagram for:
Model No. LCD412mod
 All sizes are in mm

Psi

Product Shop International Ltd.

Po Box 5503, Newbury, Berkshire, RG14 6YP, UK.

Tel: +44 (0) 844 800 4433 e-mail: sales@productshop.co.uk

Fax: +44 (0) 844 800 9876 www.productshop.co.uk