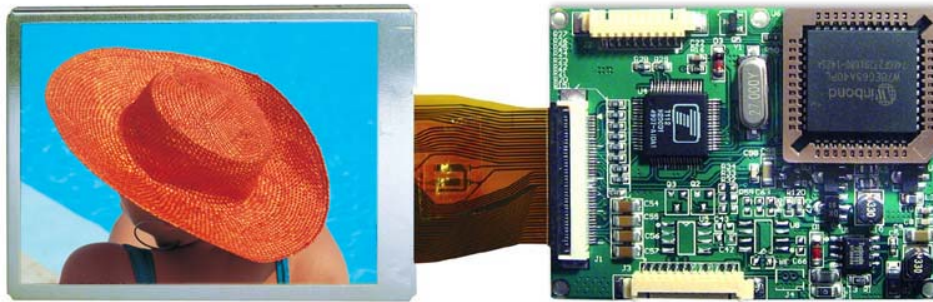


# LCD Colour Module

## Model No. LCD257mod

2.5" TFT LCD DIGITAL Video Module with LED Backlight, Very Low Current, PAL & NTSC, Composite Video input. Left/Right & Up/Down Image reverse. 5 or 12 volt Supply.



The LCD257mod 2.5" LCD DIGITAL Module with LED Backlight, Very low power consumption of 120mA. With TFT technology it offers a small but sharp display with Features of Image reverse Left/Right/Up/Down. Control functions of Brightness, Colour, Contrast and Tint (NTSC only). Universal application opportunities is ideal for Surveillance and general Video applications. Supplied in Panel and PCB form. Audio option available MOQ 500 pcs.

### **SPECIFICATIONS:**

- Resolution 230400 pixels 960x240 (WxH). Active area: 50.40 x 37.80 (WxH) mm
  - Dot Pitch: 0.0525 x 0.1575 (WxH). Viewing angle: Left/Right 50° Up 20° Down 70°
  - Video system: PAL & NTSC Auto.
  - Brightness 230cd/m<sup>2</sup>, Contrast Ratio 300:1.
  - Image reverse Left/Right/Up/Down.
  - Control Functions: Brightness, Colour, Contrast, Dimmer, Tint (NTSC only).
  - Power: DC12V, 120mA, 1.44 Watts. DC5.0V, 230mA, 1.15Watts. Approx. Weight: 17 gms.
  - Dimensions: LCD: 60.73 x 45.07 x 2.54, Driver PCB: 60.73 x 45.08 x 8.0 (WxHxD)mm
  - Temp: 0°C~60°C Storage: -25°C~80°C.
  - Connections: In/Output: SIL 12 pin Connector. Pitch 1.25. OSD: SIL 10 pin Connector Pitch 1.25.
- For full pin information see the Line drawing, Application diagrams and Instruction Book.

#### **Standard Accessories**

12 pin SIL Plug and lead.

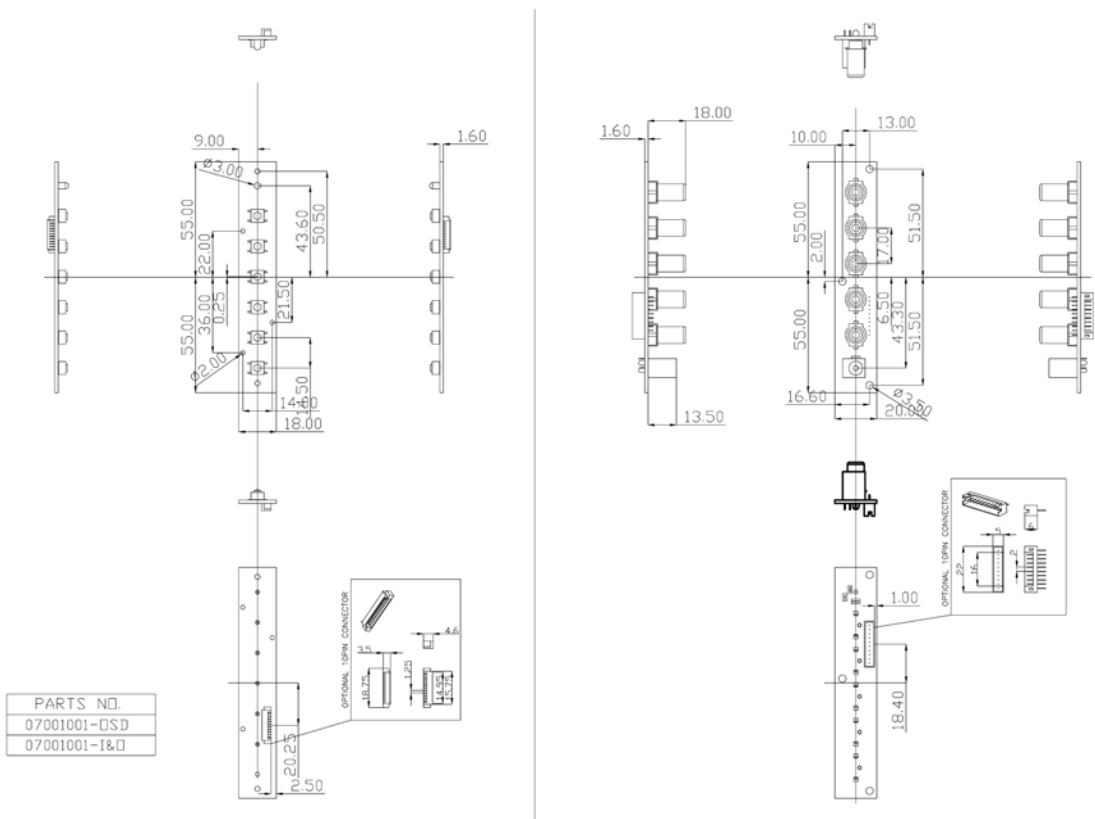
• *Please note: A degree of technical knowledge will be required to install this module*

• All information correct at time of going to press • Design and specification are subject to change without prior notice. E&OE.

## **Product Shop International Ltd**

PO Box 5503, Newbury, Berkshire, RG14 6YP. UK  
e-mail: sales@productshop.co.uk Website www.productshop.co.uk  
Tel: +44 (0) 844 800 4433 Fax: +44 (0) 844 800 9876  
Registered office: As above. Registered No. 3852764 VAT No. GB 727 0478 29

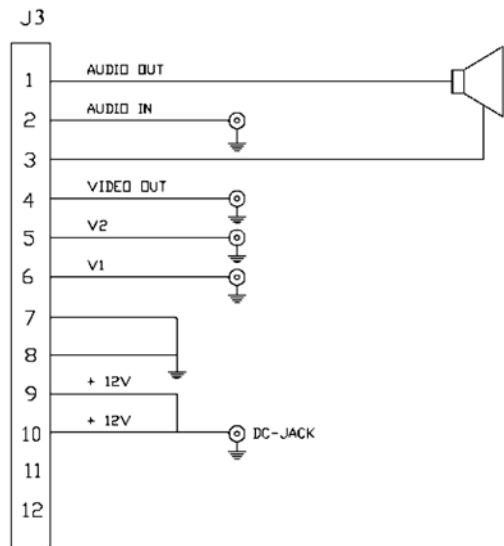




**Line Drawing for:**  
**Model No. LCD257mod I/O OSD PCB**  
 All sizes are in mm  
 Drawing not to scale

**Psi**  
**Product Shop International Ltd.**  
 Po Box 5503, Newbury, Berkshire, RG14 6YP, UK.  
 Tel: +44 (0) 844 800 4433 e-mail: sales@productshop.co.uk  
 Fax: +44 (0) 844 800 9876 Web site: www.productshop.co.uk

## Application Circuit For I/O



**Application Diagram for:**

**Model No. LCD257mod**

All sizes are in mm

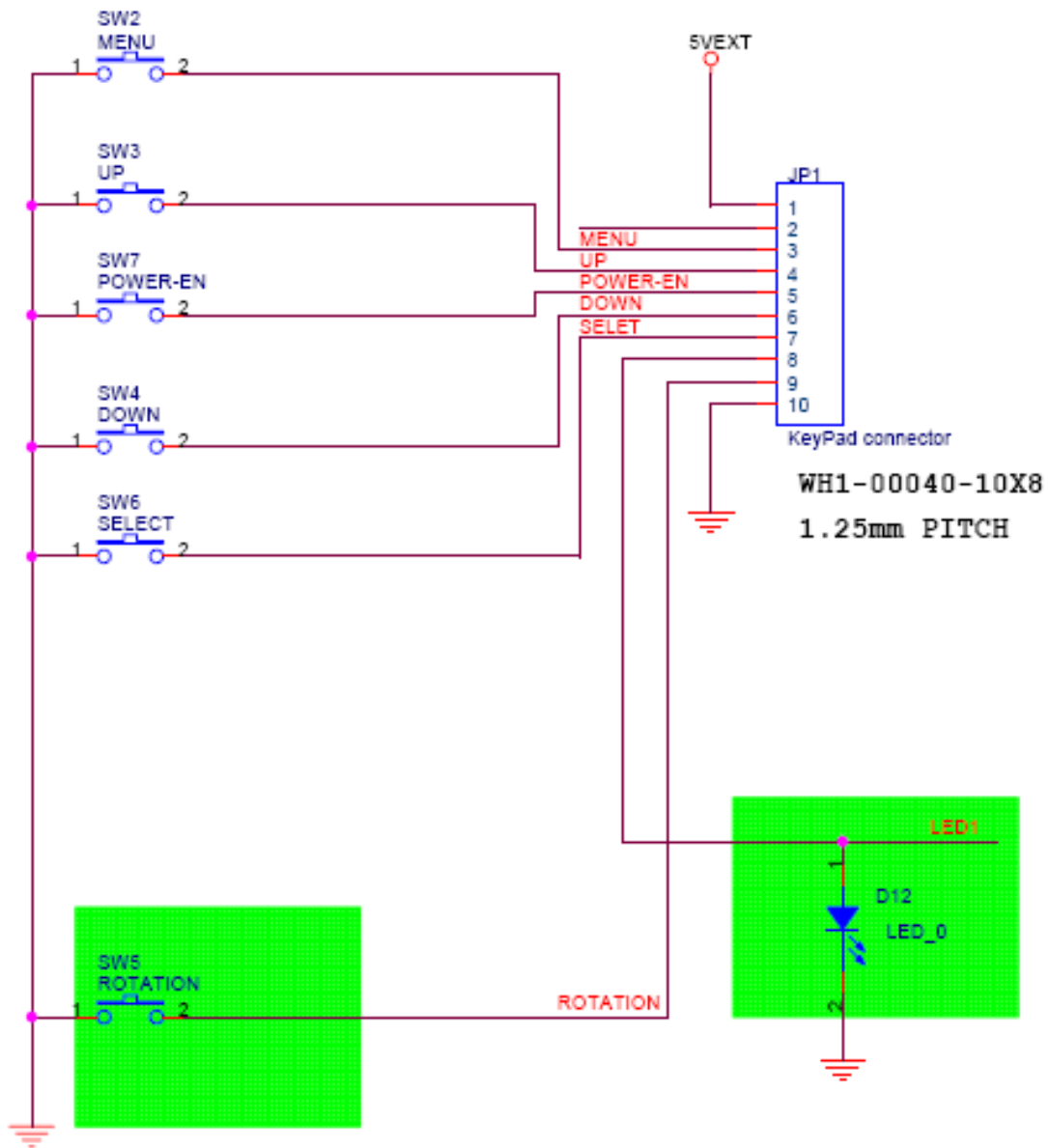
**Psi**

**Product Shop International Ltd.**

Po Box 5503, Newbury, Berkshire, RG14 6YP, UK.

Tel: +44 (0) 844 800 4433 e-mail: [sales@productshop.co.uk](mailto:sales@productshop.co.uk)

Fax: +44 (0) 844 800 9876 Web site: [www.productshop.co.uk](http://www.productshop.co.uk)



**Application Diagram for:**  
**Model No. LCD257mod OSD**  
 All sizes are in mm

**Psi**

**Product Shop International Ltd.**

Po Box 5503, Newbury, Berkshire, RG14 6YP, UK.

Tel: +44 (0) 844 800 4433 e-mail: sales@productshop.co.uk

Fax: +44 (0) 844 800 9876 Web site: www.nproductshon.co.uk