

TFT LCD MONITOR

USER MANUAL

SDE Series & SHDE Series

LCD-15"/15.6"/17"/18.5"/19"

LCD-20"/21.5"/21.6"/22"/23.6"/24"

LCD-26"/32"/42"



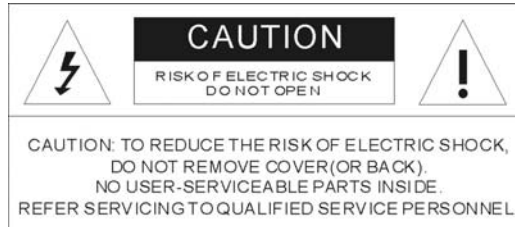
CE

WARNING:

TO REDUCE THE RISK OF FIRE OR ELECTRIC SHOCK, DO NOT EXPOSE THIS PRODUCT TO RAIN OR MOISTURE.

DO NOT INSERT ANY METALLIC OBJECT THROUGH VENTILATION GRILLS.

CAUTION:



Explanation of Graphical Symbols



The lightning flash with arrowhead symbol, within an equilateral triangle, is intended to alert the user to the presence of un-insulated “dangerous voltage” within the product’s enclosure that may be of sufficient magnitude to constitute a risk of electric shock to persons.



The exclamation point within an equilateral triangle is intended to alert the user to the presence of important operating and maintenance (servicing) instructions in the literature accompanying the product.

Precautions

Safety-----

Should any liquid or solid object fall into the cabinet, unplug the unit and have it checked by the qualified personnel before operating it any further.

Unplug the unit from the wall outlet if it is not going to be used for several days or more. To disconnect the cord, pull it out by the plug. Never pull the cord itself.

Allow adequate air circulation to prevent internal heat built-up. Do not place the unit on surfaces (rugs, blankets, etc.) or near materials (curtains, draperies) that may block the ventilation holes.

Installation-----

Do not install the unit in an extremely hot or humid place or in a place subject to excessive dust or mechanical vibration.

The unit is not designed to be waterproof. Exposure to rain or water may damage the unit.

Cleaning-----

Clean the unit with a slightly damp soft cloth. Use a mild household detergent. Never use strong solvents such as thinner or benzene as they might damage the finish of the unit.

Retain the original carton and packing materials for safe transport of this unit in the future.

Safety Precautions

Federal Communications Commission (FCC) Statement

This Equipment has been tested and found to comply with the limits for a Class B digital device, pursuant to Part 15 of the FCC rules. These limits are designed to provide reasonable protection against harmful interference in a residential installation. This equipment generates, uses and can radiate radio frequency energy and, if not installed and used in accordance with the instructions, may cause harmful interference to radio communications. However, there is no guarantee that interference will not occur in a particular installation.

If this equipment does cause harmful interference to radio or television reception, which can be determined by turning the equipment off and on, the user is encouraged to try to correct the interference by one or more of the following measures:

- Reorient or relocate the receiving antenna.
 - Increase the separation between the equipment and receiver.
 - Connect the equipment into an outlet on a circuit different from that to which the receiver is connected.
 - Consult the dealer or an experienced radio/TV technician for help.
- You are cautioned that changes or modifications not expressly approved by that party responsible for compliance could void your authority to operate the equipment.

This device complies with Part 15 FCC Rules. Operation is subject to the following two conditions:

- (1) This device may not cause harmful interference.
- (2) This device must accept any interference received including interference that may cause undesired

Table Of Contents

● Warning.....	1
● Safety Precautions.....	2
● Table Of Contents.....	3
● Features.....	4
● Operating Instruction/Connections.....	5
● Remote control.....	8
● OSD Function.....	9
● PC Timing.....	14
● LCD Monitor Mounting guide.....	15
● Specification.....	17
● Appendixes.....	21

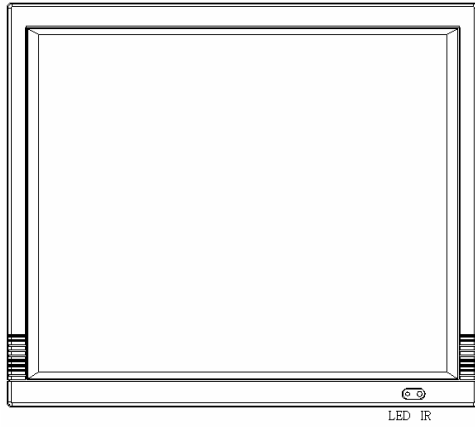
Features

- Special Video Processor.
- PIP Control Function (Only PC/Video).
- Screen protector (Anti-blur /Image auto move).
- NTSC/PAL Auto Switch.
- 3D De-interlace Technology.
- 3D Comb Filter Technology.
- Automatic Colour Control and Colour Killer.
- Luminance transient improvement(LTI),Chrominance transient improvement(CTI)
- 1080p Supported for SHDE series.
- Directional zoom engine.
- Video out support auto termination (75 Ohms).
- Build-in 2W+2W speaker, 42" 7W+7W speaker.
- Support IR remote controller.
- VESA standard bracket 75/100mm for 15"/15.6"/17"/18.5"/19"/20"/21.5"/21.6/22"/23.6"/24".
100/200mm for 26"/32". 300mm for 42".
- Wall mountable capability.

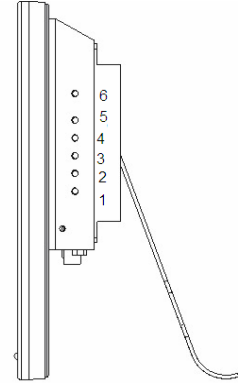
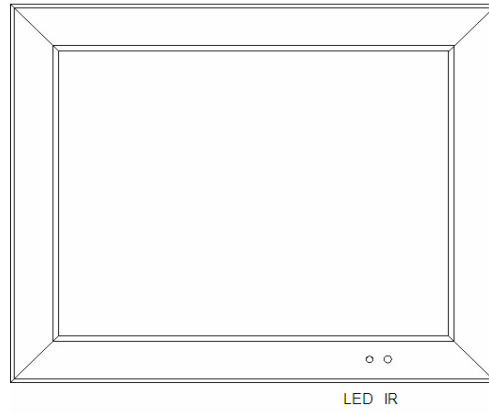
Operating Instructions-Control

Frame type:

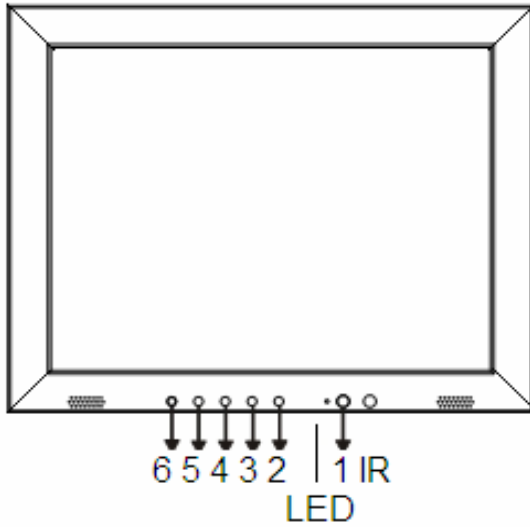
15"/17"/19" Plastic



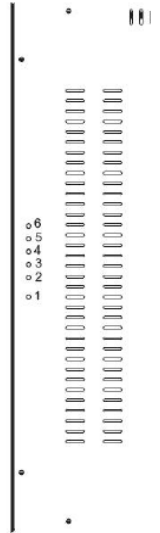
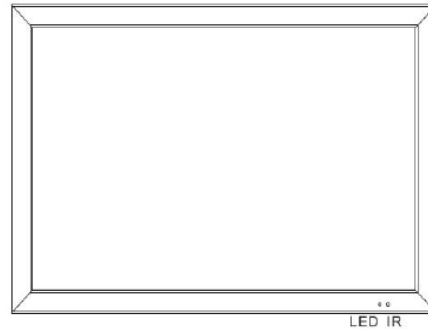
15"/15.6"/17"/18.5"/19"/21.5"/21.6"/22"/23.6"/24" Aluminium



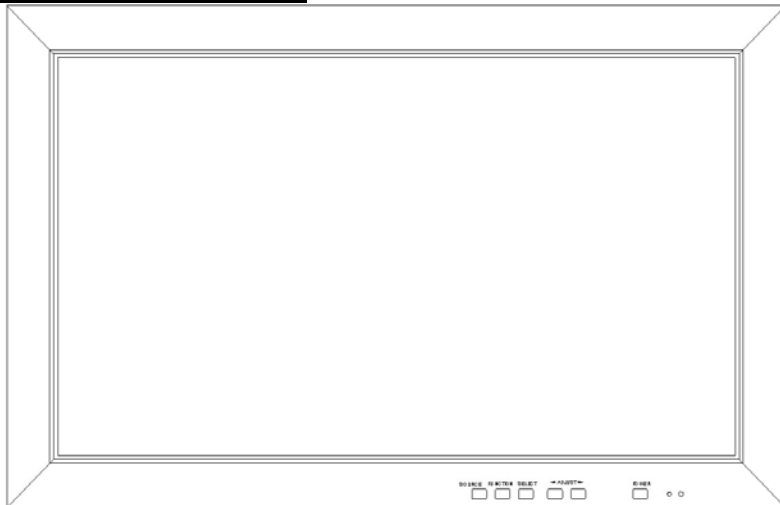
15"/17"/20" Aluminium



22"/26"/32"/42" Aluminium



26"/32"/42" Aluminium



6 5 4 3 2 1 LED IR

Key Board

1. Power

Push to turn on and turn off the unit.

LED Green light: Power on

LED Red light: Standby mode.

2. 3. Adjust ◀ / ▶

Increase or decrease the value on OSD menu.

◀ Used as UP or Increase value on the OSD Menu.

▶ Used as DOWN or Decrease value on the OSD Menu

4. Item/Select

Hot key selection for < Brightness/Contrast/Backlight/
Sharpness/Hue/Colour /Volume > function OSD menu.

5. Menu/Function

Push to call out OSD menu.

Used as Confirm / OK function in OSD menu.

6. Source

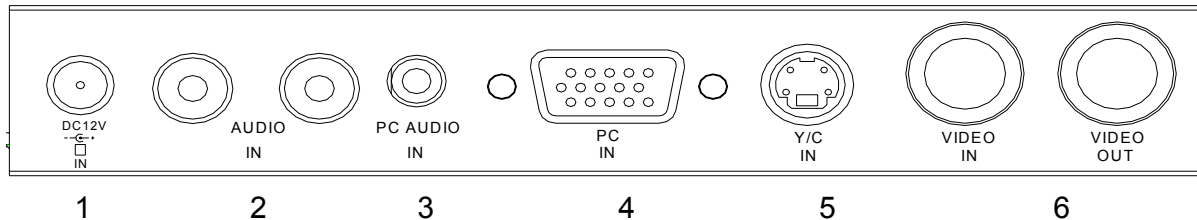
SDE: Select input signal from AV1, S-Video or PC.

SHDE: Select input signal from AV1, AV2, S-Video, PC, HD.

Used as "Return/Exit" function in OSD menu

Push "Menu" and "Up" into key-lock mode, and push again into unlock.

Connection: SDE Series



1: Regulated DC12V Power Input

2: AUDIO R/L In

Audio Signal Input, this input is for Video and Y/C.

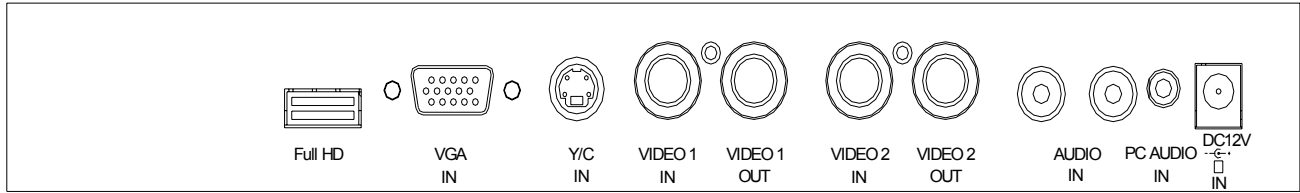
3: PC AUDIO IN

4: PC IN

5: Y/C IN (S-Video)

6: Video IN/OUT

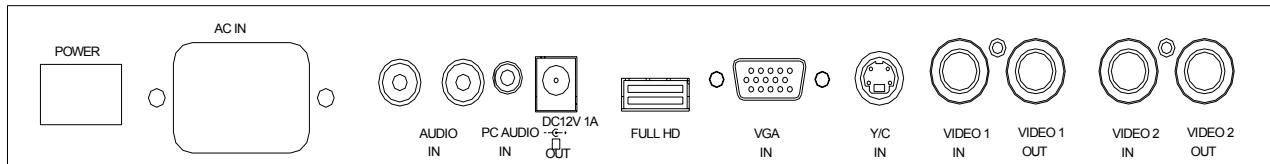
Connection: SHDE Series (DC IN)



1 2 3 4 5 6 7 8

- 1: Full HD IN
- 2: VGA IN
- 3: Y/C IN (S-Video)
- 4: Video1 IN/OUT
- 5: Video2 IN/OUT
- 6: AUDIO R/L In
- Audio Signal Input, this input is for Video1/2 and Y/C
- 7: PC Audio IN
- 8: Regulated DC12V Power Input

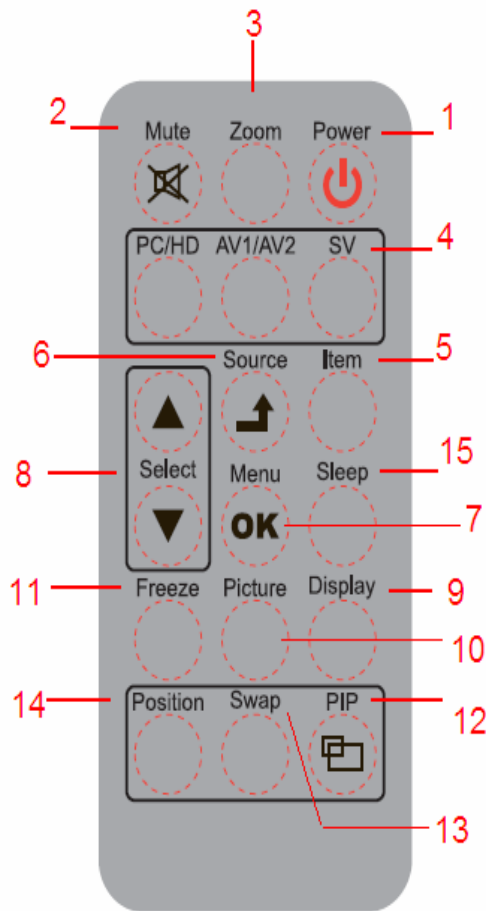
Connection: SHDE Series (AC IN)



1 2 3 4 5 6 7 8 9 10

- 1: AC Power Switch
- 2: AC Input
- 3: AUDIO R/L In
- Audio Signal Input, this input is for Video1/2 and Y/C
- 4: PC Audio IN
- 5: DC12V/1A Output
- 6: Full HD IN
- 7: VGA IN
- 8: Y/C IN (S-Video)
- 9: Video1 IN/OUT
- 10: Video2 IN/OUT

Remote control operation



- 1:Power** : Push to turn on and turn off the unit.
- 2:Mute** : Disable the unit's sound output, press the button again or the Volume +/- button to restore the volume.
- 3:Zoom** : Toggle between the image ratios. (4:3/16:9/14:9/Movie/Panorama)
- 4:PC/HD,AV1/AV2,SV** : Press to choose the desired signal source directly.
- 5:Item** : As hot key selection for Brightness/Contrast/ Backlight/Sharpness/Hue/Colour /Volume > adjust
- 6:Source/(Exit)** : Push to select input signal. Used as "Return/Exit" function in OSD menu.
- 7:OK/Menu** : Push to call out OSD menu. Used as "Confirm / OK" function in OSD menu.
- 8:Select▲/▼** : Change the function up or down.
- 9:Display** : Press to display the information on the screen, such as resolution, signal source .
- 10:Picture**: Toggle between the different picture modes. Standard /Soft/Personal /Bright.
- 11:Freeze**: Press to freeze the picture(AV1,AV2,SVideo), press again to restore.
- 12:PIP** : Press to activate the PIP function and select the size of sub-picture Small/Medium/Large/1+1/Off. Off means PIP function is turned off.

- 13:Swap** : In the PIP mode, press the button to switch the main picture and sub-picture. (This function works only when sub-picture exists.)
- 14:Position** : PIP mode Press to select the position of sub-picture. (4 corners and centre)
- 15: Sleep**: Select the Automatic turn off time.

OSD Function

Source

Push <Source>button to selection the channel.
SDE series: AV/SVIDEO/PC
SHDE series:AV1/AV2/SVIDEO/PC/HD

Item (Hot key, simple operation)

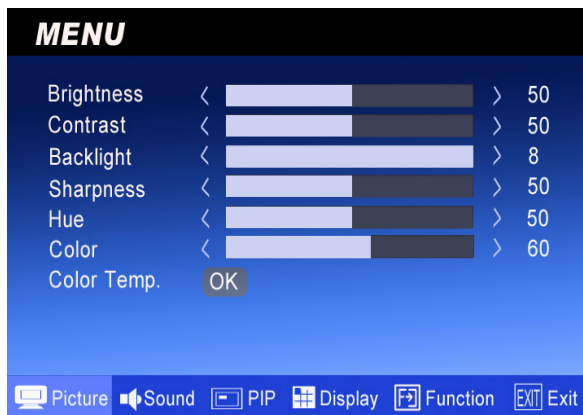
Use < Item >button as hot key to call out Adjust bar. Then use +/- button to increase/decrease the menu bar.(Brightness/Contrast/Backlight/Sharpness/Hue/Colour /Volume)



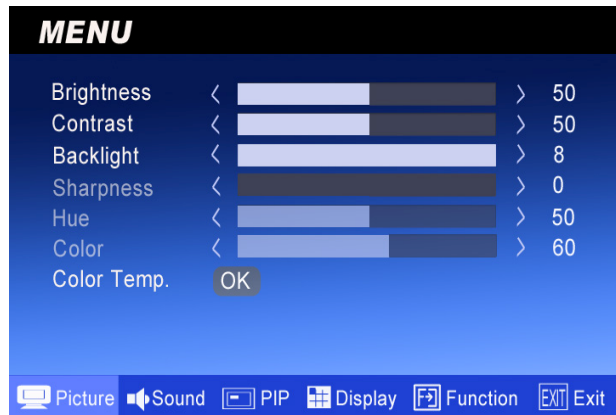
OSD Menu

Push <Menu>button to display the **Main menu**.
Main menu includes (Picture) 、(Sound) 、(PIP) 、(Display) 、(Function) and (Exit) 6 categories.
Use **Select** (▲▼) button to select the function category to be adjusted.
Push the **Menu/OK** button to enter the selected category.

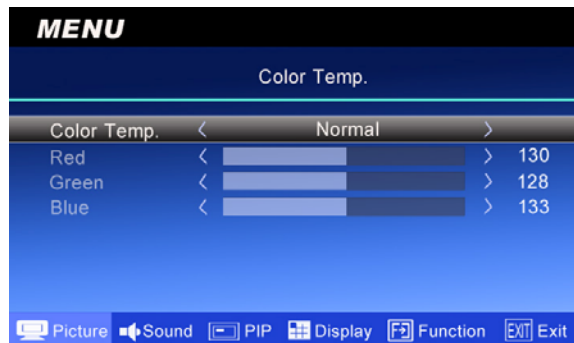
1. PICTURE



(Mode : AV 、 S-VIDEO,HD)



(Mode : PC D-Sub)

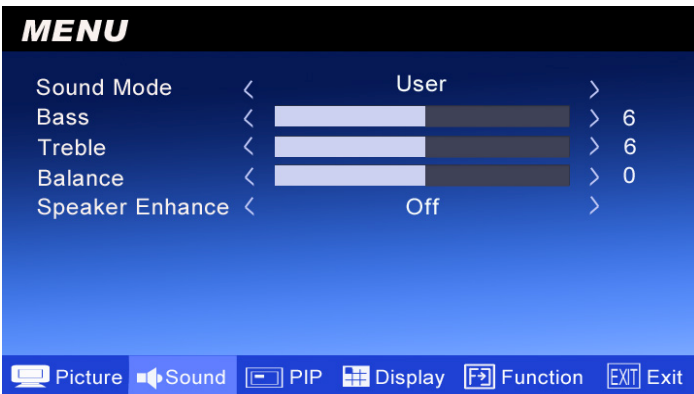


(Colour Temp.)

Use **Select** (▲▼) button to select the item to be adjusted.
Push <Menu> to confirm the selected item;
use **Select** (▲▼) button to adjust and then push <Source> button to return.

MENU	FUNCTION	MODE
Brightness	Use Select (▲▼) button to increase/decrease the screen brightness.	all
Contrast	Use Select (▲▼) button to increase/decrease the screen contrast.	all
Back light	Use Select (▲▼) button to increase/decrease the screen backlight.	all
Sharpness	Use Select (▲▼) button to adjust the sharpness of the image.	AV/S-video/HD
Hue	Use Select (▲▼) button to adjust the hue of the image.	AV/S-video/HD
Colour	Use Select (▲▼) button to increase/decrease the image colour saturation.	AV/S-video/HD
Colour Temp.	Use Select (▲▼) button to select the desired colour temperature. There are Normal / Warmer / Warm / Cool / Cooler / User 6 modes. In User mode, push <MENU> button to enter and adjust the Red/Green/Blue colour separately.	all

2. SOUND

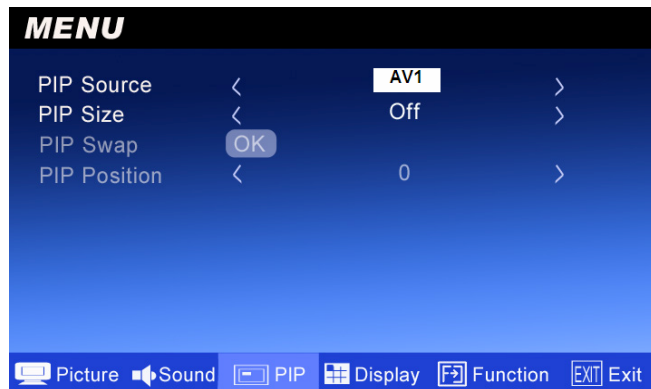


Use **Select** (▲▼) button to select the item to be adjusted. Push **Menu** to confirm the selected item, use **Select** (▲▼) button to adjust and then push <Source> button to return.

MENU	FUNCTION	MODE
Sound Mode	Use Select (▲) (▼) button to select Theatre//Music/News/Original/User 5 kinds of modes.	all
Bass	Use Select (▲) (▼) button to adjust the Bass.	all
Treble	Use Select (▲) (▼) button to adjust the Treble.	all
Balance	Use Select (▲) (▼) button to adjust the left / right balance.	all
Speaker Enhance	Use Select (▲) (▼) button to select On/Off	all

3. PIP

Use **Select** (▲▼) button to select the item to be adjusted. Push **Menu** to confirm the selected item, use **Select** (▲▼) button to adjust and then push <**Source**> button to return.



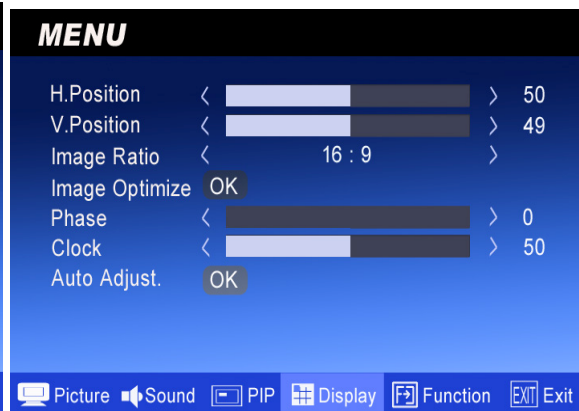
MENU	FUNCTION
PIP Source	Use Select (▲▼) button to select the source of sub-picture.
PIP Size	Use Select (▲▼) button to select the size of sub-picture Small/Medium/Large/1+1/Off. Off means PIP function is turned off.
PIP Swap	Push <MENU> button to switch the main picture and sub-picture. (This function works only when sub-picture exists)
PIP Position	Use Select (▲▼) button to select the position of sub-picture(0~5) 4 corners and centre.(This function works only when sub-picture exists)

4. Display

Use **Select** (▲▼) button to select the item to be adjusted. Push **Menu** to confirm the selected item, use **Select** (▲▼) button to adjust and then push <**Source**> button to return.



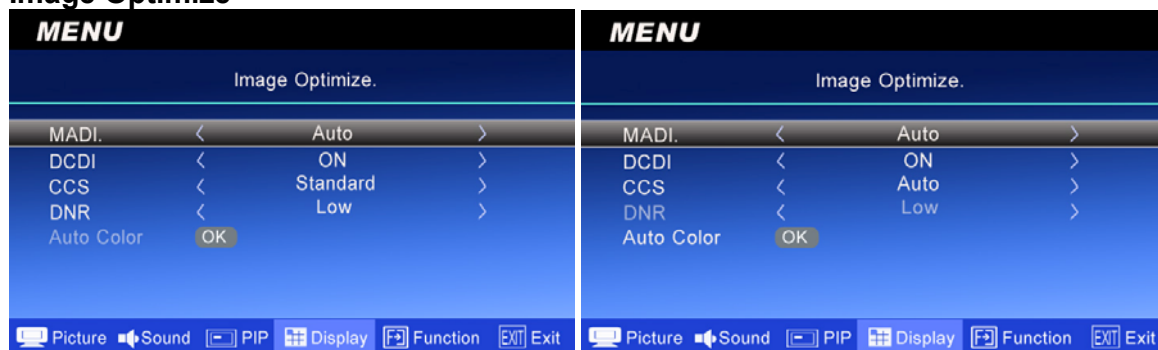
(Mode : AV 、 S-VIDEO,HD)



(Mode : PC D-Sub)

MENU	FUNCTION	MODE
H. Position	Use Select (▲▼) button to adjust the horizontal position of the image.	all
V. Position	Use Select (▲▼) button to adjust the vertical position of the image.	all
Image Ratio	Use Select (▲▼) button to select the image ratio. PC mode : 4:3/16:9 AV/S-VIDEO mode : 4:3/16:9/14:9/Movie/Panorama	all
Image Optimize	Push <MENU> button to enter the sub-menu and use Select (▲▼) button to adjust/select	all
Phase	Use Select (▲▼) button to increase/decrease the noise on the screen.	PC
Clock	Use Select (▲▼) button to increase/decrease the snowflake noise on the screen.	PC
Auto Adjust	Push <MENU> button to adjust the best image.	PC

Image Optimize



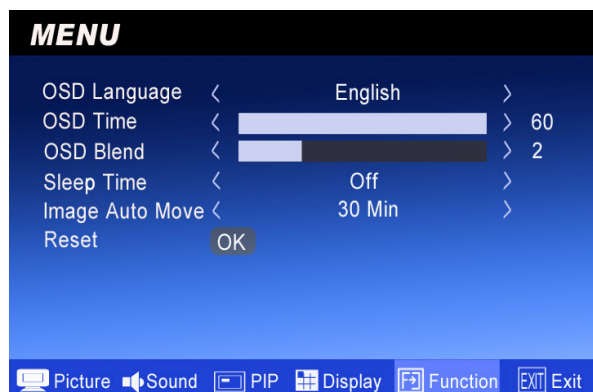
(Mode : AV 、 S-VIDEO,HD)

(Mode : PC D-Sub)

MENU	FUNCTION	MODE
MADI	Use Select (▲▼) button to select Auto/Off/Standard 3 kinds of modes.	all
DCDI	Use Select (▲▼) button to select On/Off.	all
CCS	Use Select (▲▼) button to select Auto/Off/Standard 3 kinds of modes.	all
DNR	Use Select (▲▼) button to select Low/ Medium/ High/ Off 4 kinds of modes.	AV/S-video/HD
Auto Color	Push <MENU> button to adjust the best image colour.	PC

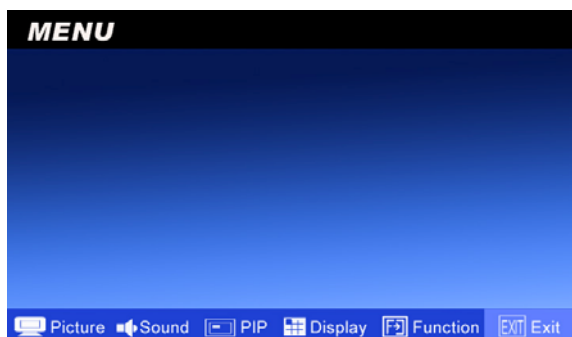
5. Function

Use **Select** (▲▼) button to select the item to be adjusted. Push **MENU** to confirm the selected item, Use **Select** (▲▼) button to adjust and then push <**Source**> button to return.



MENU	FUNCTION	MODE
OSD Language	Use Select (▲▼)button to select the desired language.	all
OSD Time	Use Select (▲▼) button to increase/decrease the OSD display time.	all
OSD Blend	Use Select (▲▼) button to increase/decrease the transparent degree of the OSD display.	all
Sleep Time	Use Select (▲▼) button to select the automatic turn off time. Off/10/20/30/60/90/120/150/180 Min.	all
Image Auto Move	Use Select (▲▼) button to select the image move time. Off/30/60/90/120/180 Min.	all
Reset	Push <MENU> button to return to factory default setting.	all

6. Exit



Push <**MENU**>to exit the OSD menu.

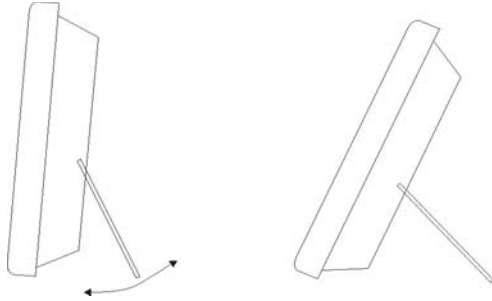
PC Timing

Mode	Resolution	Horizontal Frequency	Vertical Frequency
1	800*600@60	37.879	60.317
2	800*600@72	48.077	72.188
3	800*600@75	46.875	75.000
4	1024*768@60	48.363	60.004
5	1024*768@70	56.476	70.069
6	1024*768@75	60.023	75.029
7	1280*1024@60	63.980	60.000
8	1280*1024@75	79.976	75.025
9	1360*768@60	47.7	60
10	1440*900@60	59.9	60
11	1680*1050@60	65.3	60
12	1920*1080@60	66.587	60

LCD monitor Mounting Guide

A. Desktop

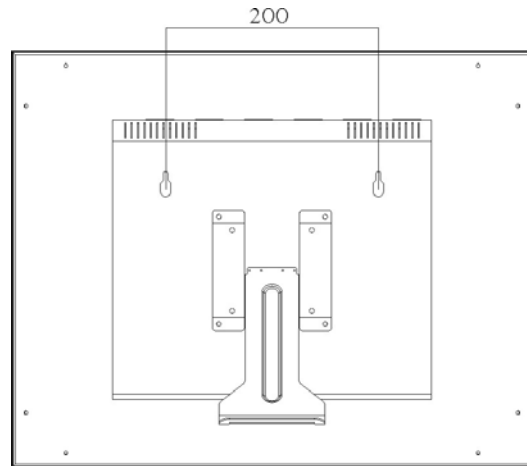
Adjust the viewing angle of LCD to fit most comfortable monitoring status.



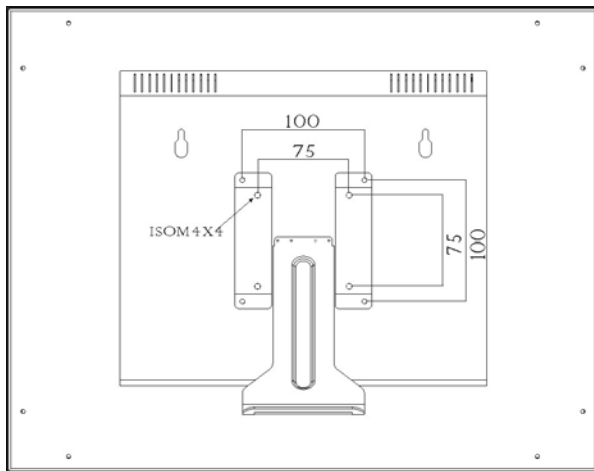
B. Wall mount

Free your space with wall mount design.

Please follow the fix-hole size in back panel to install the LCD to the wall.

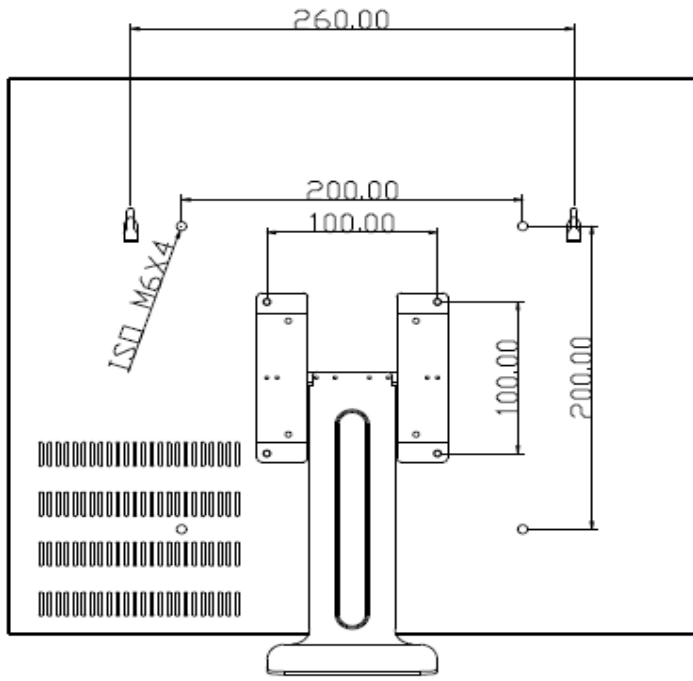


C. VESA Bracket

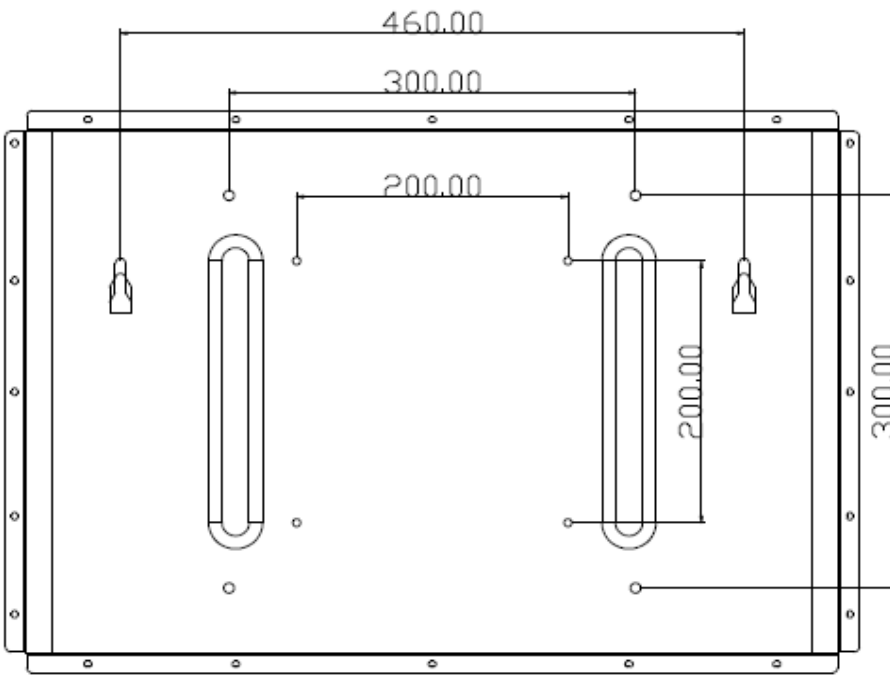


- LCD-15"
- LCD-15.6"
- LCD-17"
- LCD-18.5"
- LCD-19"
- LCD-20"
- LCD-21.5"
- LCD-21.6"
- LCD-22
- LCD-23.6"
- LCD-24"

LCD26"-32"



LCD-42"



SDE Series Specification

LCD Panel	Screen size	15" TFT LCD		15.6" TFT LCD	18.5" TFT LCD
	Viewable Area(mm)	304x228		344.2x193.5	409.8x230.4
	Display Colours	16.2M	262K	16.7M	16.7M
	Screen ratio	4:3		16:9	16:9
	Pixel	1 024*768		1366*768	1366*768
	Brightness	250/400nits	350nit	300nit	300 nit
	Contrast	700:1	450:1	500:1	1000 : 1
	Response time	6/2ms	6/2ms	2/6ms	1.3/3.7ms
	View angle(U/D/L/R)	65/60/70/70	65/50/75/75	80/80/85/85	80/80 /85/85
Video/Audio input	Video input x 1	Composite(BNC) x1			
	S-Video input x 1	4 Pin Mini Dim x1			
	Audio input x 1	Audio-R/L (RCA) x 2			
Video output	Video output x 1	Composite(BNC) x1			
PC input	VGA input x 1	RGB D-sub 15 pin x1			
	Audio input x 1	Phone jack , 3.5 ψ x1			
Speakers	Built in x 2	2W , 8 Ω x2			
Compatibility	Video system	NTSC / PAL			
Electrical spec.	Power input	AC 100-240V 50/60Hz, Adapter DC 12V/5A			
	Power consumption	18W	26W	19W	20 W
Environmental spec.	Operating conditions	0~40°C / 10%-85%			
	Storage conditions	-20~60°C / 10%-85%			

LCD Panel	Screen size	17" TFT LCD		19" TFT LCD	20" TFT LCD
	Viewable Area(mm)	338x270		376.3x301	480x306
	Display Colours	16.7M		16.7M	16.2M
	Screen ratio	4:3			
	Pixel	1280*1024		1280*1024	800*600
	Brightness	300 nits/400nit		300 nits/400nit	450nit
	Contrast	800 : 1		800 : 1	700:1
	Response time	1.2/3.8ms		1.3/3.7ms	11/5ms
	View angle(U/D/L/R)	75/85/85/85		85/85/85/85	80/60/80/80
Video/Audio input	Video input x 1	Composite(BNC) x1			
	S-Video input x 1	4 Pin Mini Dim x1			
	Audio input x 1	Audio-R/L (RCA) x 2			
Video output	Video output x 1	Composite(BNC) x1			
PC input	VGA input x 1	RGB D-sub 15 pin x1			
	Audio input x 1	Phone jack , 3.5 ψ x1			
Speakers	Built in x 2	2W , 8 Ω x2			
Compatibility	Video system	NTSC / PAL			
Electrical spec.	Power input	AC 100-240V 50/60Hz, Adapter DC 12V/5A			
	Power consumption	30W		33W	48W
Environmental spec.	Operating conditions	0~40°C / 10%-85%			
	Storage conditions	-20~60°C / 10%-85%			

SHDE Series Specification

LCD Panel	Screen size	15" TFT LCD		15.6" TFT LCD	17" TFT LCD	19" TFT LCD
	Viewable Area(mm)	304x228		344.2x193.5	338x270	376.3x301
	Display Colours	16.2M	262K	16.7M	16.7M	16.7M
	Screen ratio	4:3		16:9	4:3	
	Pixel	1024*768		1366*768	1280*1024	1280*1024
	Brightness	250 nits	350nit	300nit	300 nits/400nit	300 nits/400nit
	Contrast	700:1	450:1	500:1	800 : 1	800 : 1
	Response time	6/2ms	6/2ms	6/2ms	1.2/3.8ms	1.3/3.7ms
	View angle(U/D/L/R)	65/60/70/70	65/50/75/75	80/80/85/85	75/85/85/85	80/80/85/85
Video/Audio input	Video input x 2	Composite(BNC) x2				
	S-Video input x 1	4 Pin Mini Dim x1				
	Full HD input x 1	Full HD x1				
	Audio input x 1	Audio-R/L (RCA) x 2				
Video output	Video output x 2	Composite(BNC) x2				
PC input	VGA input x 1	RGB D-sub 15 pin x1				
	Audio input x 1	Phone jack , 3.5 ψ x1				
Speakers	Built in x 2	2W , 8 Ω x2				
Compatibility	Video system	NTSC / PAL				
Electrical spec.	Power input	AC 100-240V 50/60Hz, Adapter DC 12V/5A				
	Power consumption	18W	26W	19W	30W	33W
Environmental spec.	Operating conditions	0~40°C / 10%-85%				
	Storage conditions	-20~60°C / 10%-85%				

LCD Panel	Screen size	20" TFT LCD	21.5" / 21.6" TFT LCD	23.6" TFT LCD	24" TFT LCD	
	Viewable Area(mm)	480x306	476.64x268.11 477.504x268.596	521.28x293.22	531.36x298.89	
	Display Colours	16.2M	16.7M			
	Screen ratio	4:3	16:9			
	Pixel	800*600	1920*1080			
	Brightness	450nits	250nits(LED)/300nits	300 nits(LED BL)	250 nits(LED BL)	
	Contrast	700:1	1000:1	1000 : 1	1000 : 1	
	Response time	11/5ms	1.3/3.7ms	1.5/3.5ms	3.5/1.5ms	
	View angle(U/D/L/R)	80/60/80/80	80/80/85/85	80/80/85/85	80/80/85/85	
Video/Audio input	Video input x 2	Composite(BNC) x2				
	S-Video input x 1	4 Pin Mini Dim x1				
	Full HD input x 1	Full HD x1				
	Audio input x 1	Audio-R/L (RCA) x 2				
Video output	Video output x 2	Composite(BNC) x2				
PC input	VGA input x 1	RGB D-sub 15 pin x1				
	Audio input x 1	Phone jack , 3.5 ψ x1				
Speakers	Built in x 2	2W , 8 Ω x2				
Compatibility	Video system	NTSC / PAL				
Electrical spec.	Power input	AC 100-240V 50/60Hz, Adapter DC 12V/5A				
	Power consumption	48W	22 W / 38W	24W	26 W	
Environmental spec.	Operating conditions	0~40°C / 10%-85%				
	Storage conditions	-20~60°C / 10%-85%				

LCD Panel	Screen size	18.5" TFT LCD	22" TFT LCD	26" TFT LCD	32" TFT LCD
	Viewable Area(mm)	409.8x230.4	473.76x296	577.77x323.71	697.68x392.25
	Display Colours	16.7M			
	Screen ratio	16:9			
	Pixel	1366*768	1680*1050	1366*768	
	Brightness	300nit	300 nit	450nit	450 nits
	Contrast	1000:1	1000:1	3000 : 1	3000 : 1
	Response time	1.3/3.7ms	1.3/3.7ms	6.5ms(G to G)	6.5ms(G to G)
	View angle(U/D/L/R)	80/80/85/85	80/80/85/85	89/89/89/89	89/89/89/89
Video/Audio input	Video input x 2	Composite(BNC) x2			
	S-Video input x 1	4 Pin Mini Dim x1			
	Full HD input x 1	Full HD x1			
	Audio input x 1	Audio-R/L (RCA) x 2			
Video output	Video output x 2	Composite(BNC) x2			
PC input	VGA input x 1	RGB D-sub 15 pin x1			
	Audio input x 1	Phone jack , 3.5 ψ x1			
Speakers	Built in x 2	2W , 8 Ω x2			
Compatibility	Video system	NTSC / PAL			
Electrical spec.	Power input	AC 100-240V 50/60Hz Adapter DC 12V/5A		AC 100-240V 50/60Hz Switch power supply	
	Power consumption	21W	43 W	80W	168W
Environmental spec.	Operating conditions	0~40°C / 10%-85%			
	Storage conditions	-20~60°C / 10%-85%			

LCD Panel	Screen size	26" TFT LCD	32" TFT LCD	42" TFT LCD
	Viewable Area(mm)	576x324	698x392.85	930.24x523.26
	Display Colours	16.7M		
	Screen ratio	16:9		
	Pixel	1920*1080		
	Brightness	450 nit	450 nit	450 nit
	Contrast	4000:1	5000 : 1	4000 : 1
	Response time	8ms(G to G)	8ms(G to G)	6.5ms(G to G)
	View angle(U/D/L/R)	89/89/89/89		
Video/Audio input	Video input x 2	Composite(BNC) x2		
	S-Video input x 1	4 Pin Mini Dim x1		
	Full HD input x 1	Full HD x1		
	Audio input x 1	Audio-R/L (RCA) x 2		
Video output	Video output x 2	Composite(BNC) x2		
PC input	VGA input x 1	RGB D-sub 15 pin x1		
	Audio input x 1	Phone jack , 3.5 ψ x1		
Speakers	Built in x 2	2W , 8 Ω x2	7W , 8 Ω x2	
Compatibility	Video system	NTSC / PAL		
Electrical spec.	Power input	AC 100-240V 50/60Hz, Switch Power supply		
	Power consumption	75W	106 W	170 W
Environmental spec.	Operating conditions	0~40°C / 10%-85%		
	Storage conditions	-20~60°C / 10%-85%		

Dimension/Weight

LCD150AVS	Net Dimension(mm) 385(W)x310(H)x80(D)	Net Weight (KGS) 4.2KGS
LCD151AVS	Net Dimension(mm) 357(W)x283(H)x64(D)	Net Weight (KGS) 3.2KGS
LCD156AVS	Net Dimension(mm) 401.5(W)x251(H)x60.3(D)	Net Weight (KGS) KGS
LCD170AVS	Net Dimension(mm) 420(W)x355(H)x80(D)	Net Weight (KGS) 5.7KGS
LCD171AVS	Net Dimension(mm) 391(W)x352(H)x69(D)	Net Weight (KGS) 3.9KGS
LCD185AV	Net Dimension(mm) 464.4(W)x285(H)x63.2(D)	Net Weight (KGS) KGS
LCD191AVS	Net Dimension(mm) 430(W)x356(H)x66.78(D)	Net Weight (KGS) 5.54KGS
LCD200AV	Net Dimension(mm) 490(W)x388(H)x81(D)	Net Weight (KGS) 6.8KGS
LCD215HD LCD216HD	Net Dimension(mm) 532.24(W)x323.33(H)x71.2(D)	Net Weight (KGS) 5.7KGS
LCD220AV	Net Dimension(mm) 525(W)x345(H)x65(D)	Net Weight (KGS) 6.0KGS
LCD236HD	Net Dimension(mm) 575.9(W)x347.8(H)x56.7(D)	Net Weight (KGS) 5.7KGS
LCD240HD	Net Dimension(mm) 588.4 (W)x355.9 (H)x56.7 (D)	Net Weight (KGS) 5.8KGS
LCD260HD	Net Dimension(mm) 662.8(W)x410.8 (H)x107(D)	Net Weight (KGS) 10.5KGS
LCD320HD	Net Dimension(mm) 785.6(W)x477.2(H)x115.3(D)	Net Weight (KGS) 14KGS
LCD420HD	Net Dimension(mm) 1018.3(W)x 611.3(H)x121.7(D)	Net Weight (KGS) 28KGS

Appendixes

Troubleshooting

The tables provided below include some problems that the user may encounter while using the display and the corresponding solutions. Please refer to the contents of this section prior to contacting service personnel.

Problem	Possible Causes	Solutions
No picture	<ol style="list-style-type: none">1. Is the power cable connected to the unit?2. Is the unit turned on?3. Is the signal cable connected to the unit?4. Is the unit in power saving mode?	<ol style="list-style-type: none">1. Make sure the power cable has been properly connected to the unit.2. Turn on the unit.3. Make sure the signal cable has been properly connected to the unit.4. Press any key on computer keyboard.
Strange colour	<ol style="list-style-type: none">1. Is the signal cable connected to the unit?	<ol style="list-style-type: none">1. Make sure the signal cable has been properly connected to the unit.
Picture distortion	<ol style="list-style-type: none">1. Is the signal cable connected to the unit?2. Is the video input signal within the unit's specified frequency range?	<ol style="list-style-type: none">1. Make sure the signal cable has been properly connected to the unit.2. Make sure the input signal is within the unit's specified frequency range.
Picture is too dim	<ol style="list-style-type: none">1. Have the unit's brightness and contrast settings been set to the lowest level?	<ol style="list-style-type: none">1. Adjust brightness and contrast
Only sound but no picture	<ol style="list-style-type: none">1. Is the connection of the input signal correct?	<ol style="list-style-type: none">1. Check connection of input signal.2. Make sure the signal cable has been properly connected.
Only picture but no sound	<ol style="list-style-type: none">1. Is the signal cable connected to the unit?2. Has the volume been set to the min level?3. Is the audio cable connected to the unit?	<ol style="list-style-type: none">1. Make sure the signal cable has been properly connected to the unit.2. Adjust the volume to an appropriate setting.3. Make sure the audio cable has been properly connected to the unit.

Please contact the customer service centre of your local dealer if you have any questions regarding the unit after reading the information provided above.

Package List

A. LCD Monitor	x 1
B. Power Cord	x 1
C. User Manual	x 1
D. 12V Power Adapter	x 1(Except for 26"/32"/42")
E. Remote Control	x 1
F.VGA Cable (DB-15)	x 1
G.1/8"male to 1/8" male Audio cable	x 1