

LCD TV STAND (CAR USE)

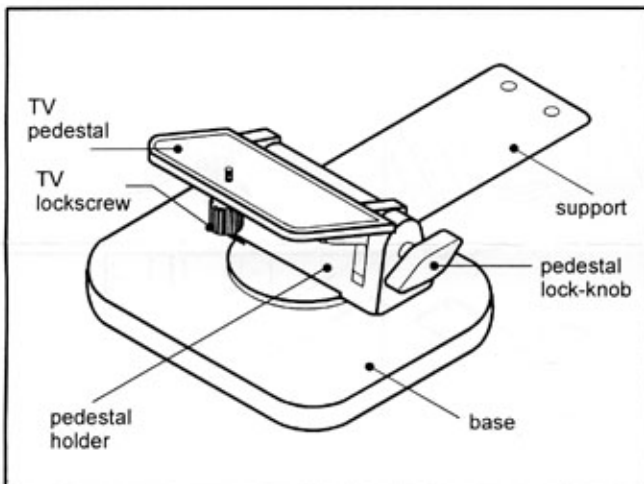
OWNER'S MANUAL

* please keep this manual for reference

Warning

- Do not watch or operate TV while driving.
- Do not put TV set in the car for a long time. The high temperature in the car may cause the changing of color and quality of TV.
- Remember the "pedestal lock-knob" and the "TV lock screw" must be fastened well to make sure the STAND is installed securely in the car. Attention! the manufacturer will not take any responsibility for the problem due to the incorrect installation.
- Do not use any other type or brand's adhesive tape, it might cause the STAND declined due to the uncertified adhesion.

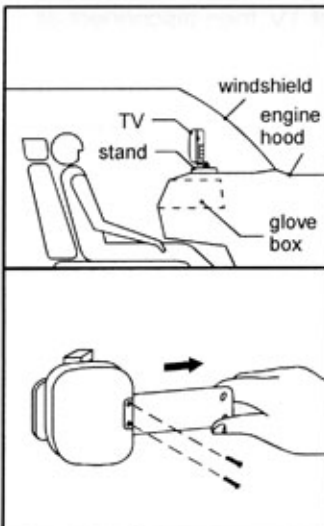
Controls and parts



Caution for installation

- Do not put the STAND in a place which could obstruct the driver.
- Do not put the STAND in the area near the outlet of the heater or airconditioner.
- Do not put the STAND on the surface of non-plastic material (like leather, wood, cotton), the surface may be damaged.
- Do not put the STAND on the more curvature or over-bend surface, it may cause the poor adhesion.
- Make sure the STAND will not disturb the normal operation of safe air-bag.

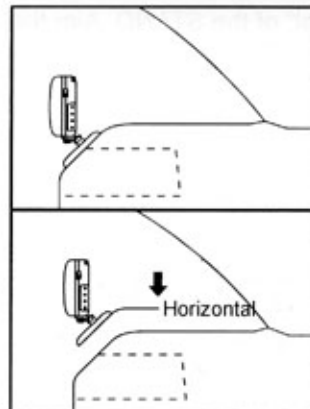
Install I: put on the upper plane area of glove box



1. First choose the proper place to install, use a soft cloth with water or neutral lotion to clean the dust and stain, then wait to dry out and begin to install.
2. As shown in the left below. Use the screw driver to loosen the two screws on the bottom of the STAND, to take away the "support".
3. Tear off the protection paper of the adhesive tape from the bottom

of the STAND, then stick and press the STAND close to the position chosen at step(1).

Install II: put on the upper curve area of glove box

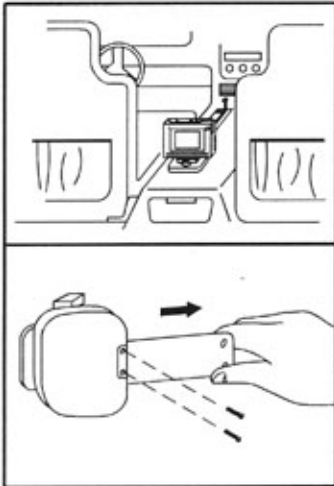


1. Follow the step(1) mentioned in install I.
2. Bend the "support" to make its curve matches the curve of the surface where to install. Please refer to the drawing shown in left and try it before going into next step.
3. Tear off the protection paper of the adhesive tape from the bottom of

the STAND and "support", then stick and press the STAND close to the position.

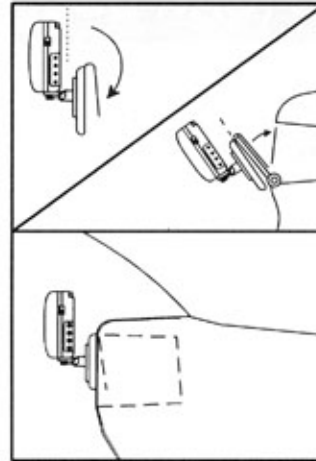
4. If necessary, use two additional screws at the end of the "support" to enhance the security.

Install III: put on the top area of console box beside the driver seat



- The procedure of installation is the same as "install I".

Install IV: put on the cover of glove box

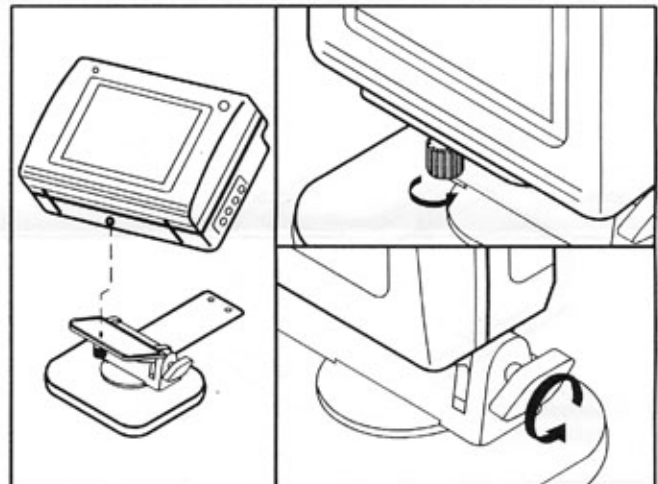


1. Bend the "support" to be a hook as the drawing shown in left.
2. Open the glove box and hang the STAND on the cover of the glove box, then close the glove box. Make sure the glove box is closed and locked.
3. After installing, open carefully the glove box to prevent the STAND fallen down.

Caution after installing

- Once the STAND installed, do not try to move it to another place. Otherwise, the adhesive tape may be loss its adhesion.
- Do not try to touch or move the STAND within 24 hours.
- Do not try to put TV on the STAND within 24 hours.

Drawing of Mount and Dismount TV



Mount TV on the STAND

1. Put TV on the "TV pedestal" of the STAND, Aim the "TV lock screw" on the pedestal at the lock-knob on the bottom of the TV.
2. Turn the "TV lock screw" anti-clockwise, until TV is locked securely on the "TV pedestal".
3. Connect the antenna and car cord. Please refer to TV user manual for details.
4. Turn the "pedestal lock-knob" anti-clockwise, to loosen the "TV pedestal", for adjusting the up-down angles. After adjusting and getting the best viewing angle, remember to turn the "pedestal lock-knob" clockwise and lock it.

Dismount TV from STAND

1. First, turn off the power of TV, then disconnect all the cables from TV.
2. Hold the TV with one hand, turn the "TV lock screw" clockwise with the other hand until the screw totally dispart from TV. Then you could take away TV from the STAND.