

7" TFT- LCD DISPLAY

USER'S MANUAL



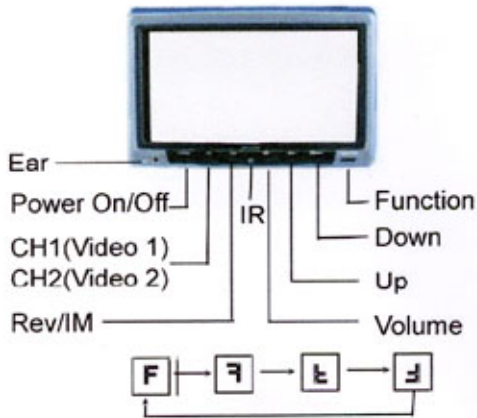
CONTENTS

- 7" TFT LCD DISPLAY
- REMOTE CONTROL
- STAND/TRAY
- MINIDIN CABLE

Features:

- High Resolution with True Color
- Multiple applications: Security Surveillance, Television, Navigation, Instrument, Seat Video, Door Phone, and Videophone
- 16:9 Wide Screen TFT LCD Panel
- Function controlled by O S D (On Screen Display)
- IR Remote Control
- Internal Stereo Audio and Speaker
- Super Wide View Angle
- System available in PAL and NTSC, PAL /NTSC Auto-Switching
- External Stereo Earphone Jack
- Low Power Consumption
- Default w/Memory Function

KEY FUNCTIONS

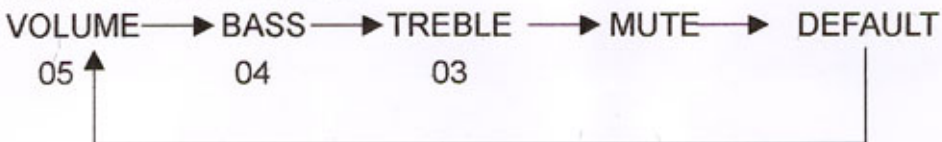


Remote Control

1. Press the Power On/Off button on the unit or Remote unit to turn on the Power (The Unit has power auto On/Off function, when the video signal comes in, it can be power on automatically. If no signal within 8 seconds, then power off automatically)
2. Press the CH button on the Module or Remote unit to turn on Video 1 (CH1) or Video 2 (CH2)
3. R/N-Reverse (Mirror Function), press this button to reverse the picture Up to Down or Left to Right

4. Volume:

Press Volume button on the Module or Remote unit to activate the O.S.D Functions shown on the LCD Screen and press again to select the adjustment items as below



(The Value of the Volume can be adjustable by ▲UP or ▼DN button)
 (Default is to set up the Original Volume Value)

5. ▲UP & ▼DN:

Press UP/DOWN button on the Module or Remote unit to increase or decrease the value of the adjustment functions for optimum viewing

6.FUNCTION:

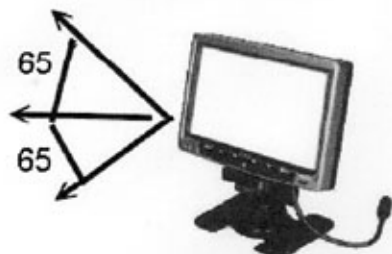
Press Function button on the Module or Remote unit to activate the OSD Functions shown on the LCD Screen and press again to select the adjustment items as below

- Brightness / 36 · Contrast / 50 · Color /62 · RGB Amp / 30
- Sub Blue /48 · Sub Red /37 · Picture /13 · Gamma-0 /8
- Gamma-2/59 · Tint / 63 · Dimmer / 47 · Luminance / 00
- Save · Default · Screen

The value of items as above can be adjustable by ▲UP or▼DN button

7.Ear Phone Output

The Most Suitable Viewing Angle is Within the Range as Below:

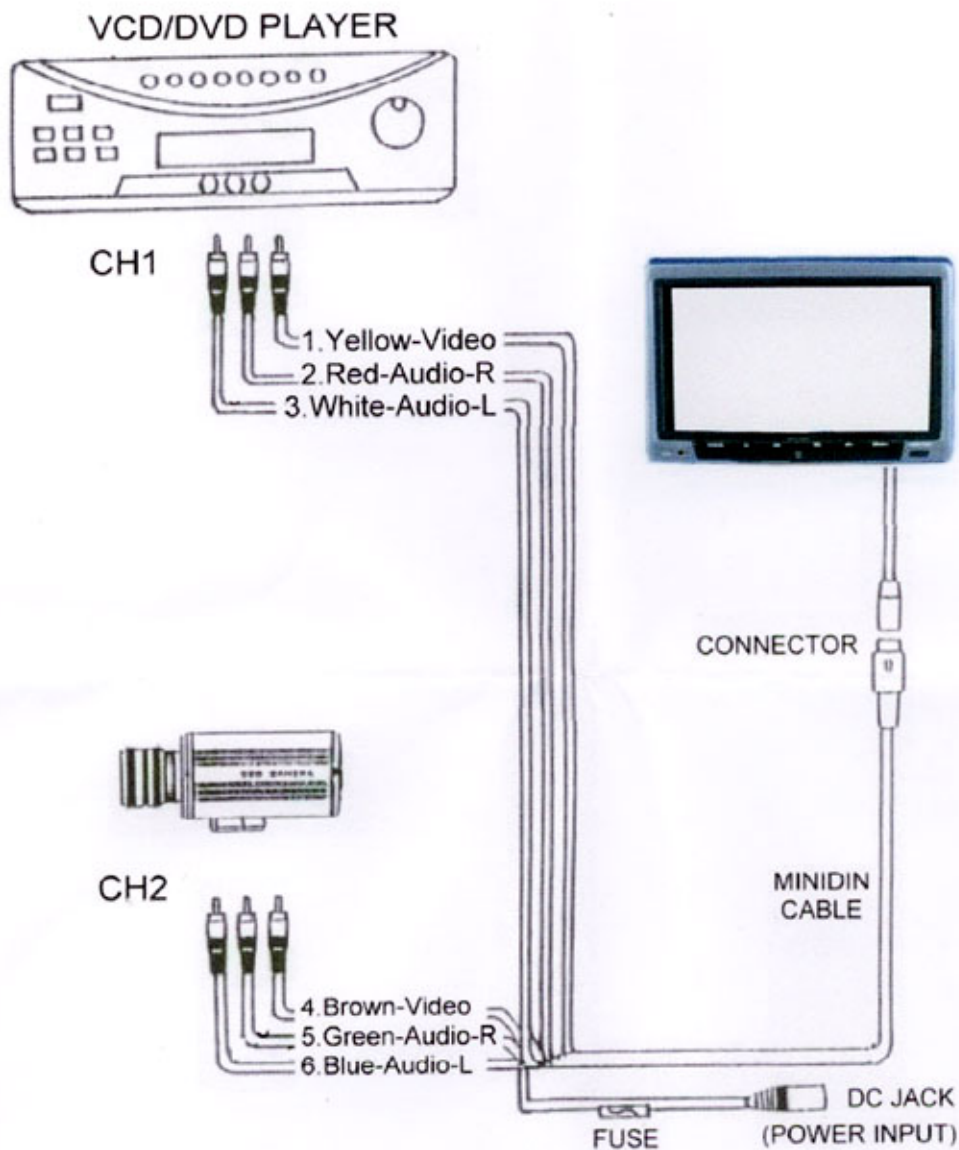


Upper 65° ~ Lower 65°



Left 40° ~ Right 55°

WIRING DIAGRAM



SPECIFICATIONS

Display	7.0 inch Wide Screen TFT-LCD
Back Light	Built in 2CCFT
LCD Profile Ratio	16:9
Display Resolution (dot)	1440(H) x 234(V)
Dot Pitch (mm)	0.107(H) x 0.372(V)
Viewing Angle	L/R/T/B 65/65/40/55 Degrees
Color Configuration	R.G.B Delta
Brightness (Central)	300 CD/m ²
Number of Pixels	336,960
Power Source	DC 12V to 24V (+/- 20%)
Power Consumption	1.0A (Max)/12W (Max)
Video Input Level	Composite 1Vp-p / 75 Ohms
Video Input System	NTSC/PAL Auto Switching
Audio Input Level	350mV RMS
Audio Output	0.5Wx2 / 8 Ohm
Operating Temperature	0°C ~ +50°C(32°F~122°F)
Storage Temperature	-25°C ~ +60°C (-22°F~140°F)
Earphone	3.5m/m Stereo Earphone Jack
Dimensions	180 (W) x 120 (H) x 30 (D) mm
Net Weight	570 g