

**5" TFT- LCD DISPLAY
(With Audio)**

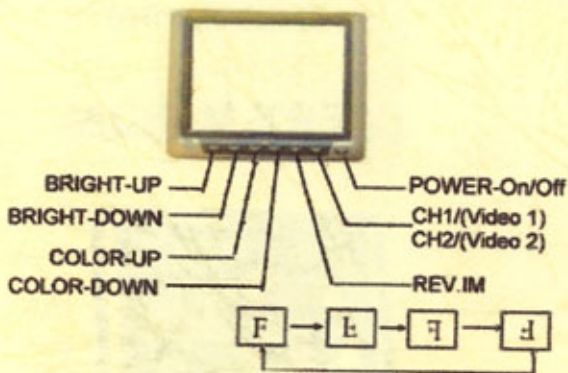
USER'S MANUAL



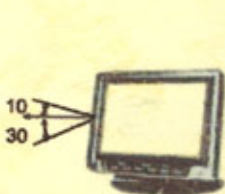
CONTENTS

- 5" TFT LCD DISPLAY
- STAND
- MINIDIN CABLE

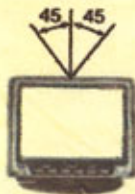
KEY FUNCTIONS



The Most Suitable Viewing Angle is Within the Range as Below:



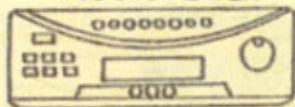
Upper 10°~ Lower 30°



Left 45°~ Right 45°

WIRING DIAGRAM WITH AUDIO

VCD/DVD PLAYER



CH1



CH2

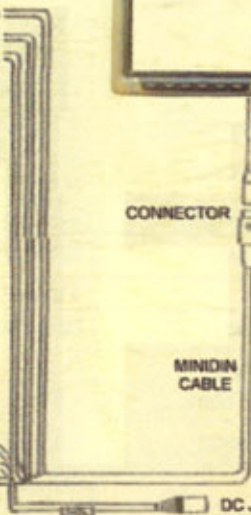


CONNECTOR

MINIDIN
CABLE

FUSE

DC JACK
(POWER INPUT)



SPECIFICATIONS

| | |
|-------------------|--|
| Display Type | TFT LCD Panel for TOSHIBA TFD50W32-B |
| Screen Size | 5 inch |
| Active Area (mm) | 121(W) x 99 (H) x13 (D) |
| Screen Color | Full-Colors |
| Resolution | 960 (H) x234 (V) dots |
| Brightness | 250 cd/m ² |
| Display Driver | TFT Active Matrix System |
| Display Frequency | NTSC: fh=15.73KHz, fv=60Hz PAL: fh=15.63KHz, fv=50Hz |
| Back light | Cold Cathode Filament Tube |
| Operating Voltage | DC12V (11-18V) |
| Power Consumption | 12 V/ 0.56A |
| Key Functions | Video Control: Power, Channel, Reverse (Mirror), Color, Bright |
| Input Terminals | MiniDin Cable (DC Jack, RCA) |
| Input Signal | NTSC/PAL Auto Switching , |
| Video | 1Vp-p/75ohm |
| Audio Input | 350 mv Rms |
| Audio Output | 0.1w x 2 @ 8 ohms |
| Operation Temp. | -10~+65°C |
| Storage Temp. | -20~+70°C |
| Humidity | 10~90%RH |
| Dimension (mm) | 134 (W) x110 (H) x 27 (D) |
| Weight | 350gm |